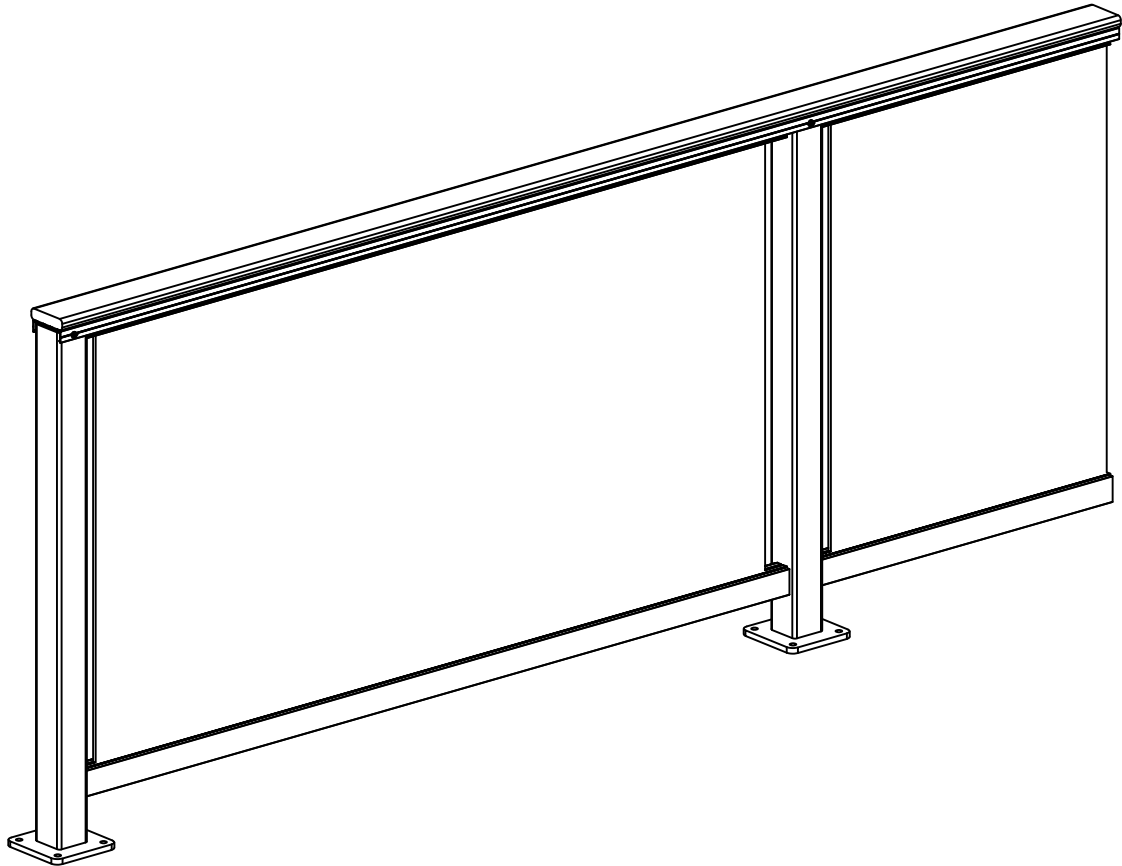


SERIES 400 GLASS RAILING INSTALLATION INSTRUCTIONS

REVISION 0.0 (4/16/2020)



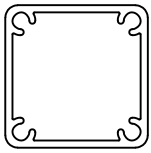
PLEASE READ THESE INSTRUCTIONS IN THEIR ENTIRETY PRIOR TO ASSEMBLING RAILING.
IF YOU HAVE ANY QUESTIONS OR NEED ASSISTANCE, PLEASE CALL ONE OF THE NUMBERS BELOW.

DRAWING TITLE:
OVERVIEW, RAILING

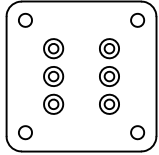
DATE: 4/16/2020
DRAWN BY: TJC

PRECISION RAIL
www.precisionrail.com
503.512.5353
855.776.7245

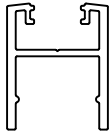




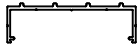
2 3/8" SQ POST



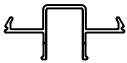
5" X 5" BASE PLATE



BOTTOM RAIL



TOP RAIL



TOP RAIL INFILL



CONNECTING BLOCK



UPPER VINYL INSERT



LOWER VINYL INSERT

STOCK LENGTH MATERIAL



TOP VIEW



SIDE VIEW

NYLON BOLT CAPS



TOP VIEW



SIDE VIEW

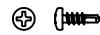
CAP WASHERS



BASE PLATE SCREWS



#10 X 2" SS SCREWS



#10 X 5/8" SS SCREWS



#8 X 3/4" FH SS SCREWS



(1) T-40 TORX IMPACT BIT

HARDWARE

RECOMMENDED TOOLS

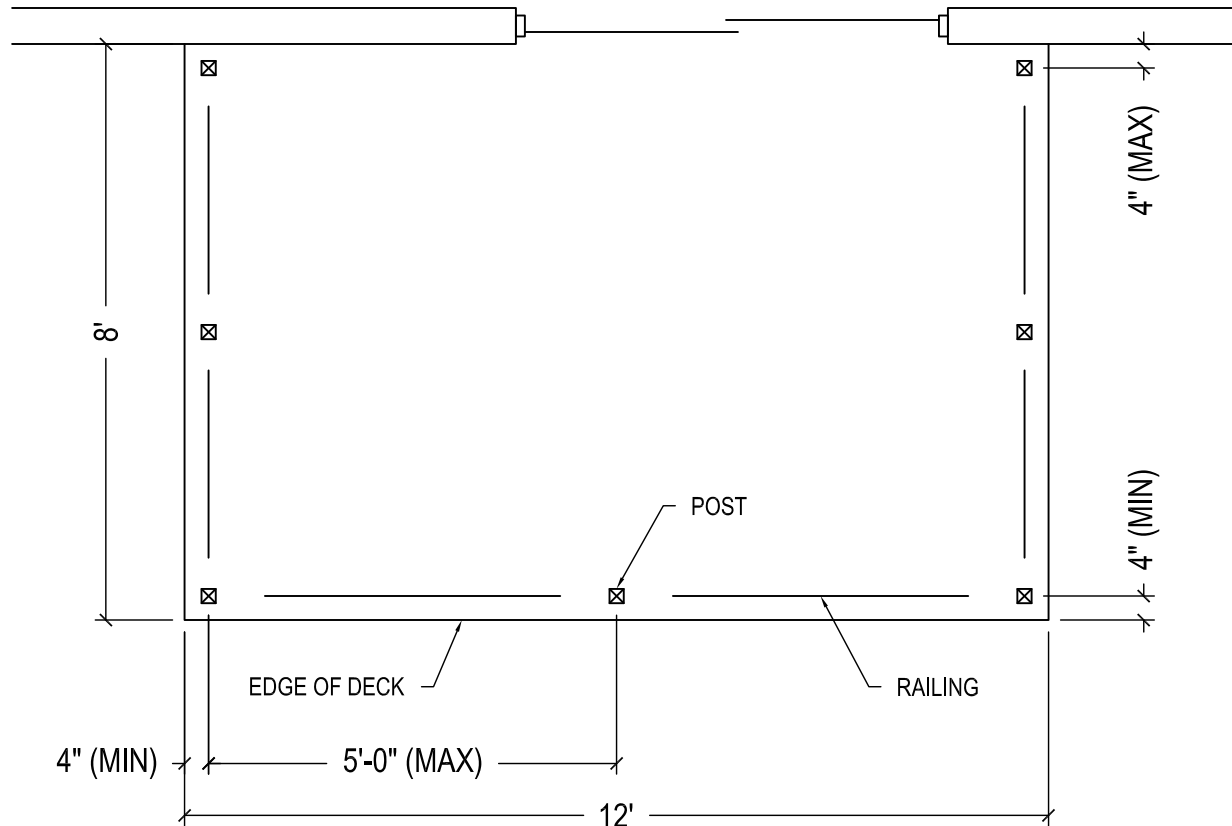
- SCISSORS
- CENTER PUNCH
- DRILL
- Ø11/64" DRILL BIT
- MASKING TAPE
- SOAP
- #2 PHILLIPS SCREW DRIVER BIT
- IMPACT DRIVER
- LEVEL
- PENCIL
- TAPE MEASURE
- STRING LINE
- SHIMS
- SPEED SQUARE
- ELECTRIC MITER SAW WITH A 10" CARBIDE BLADE SPECIFICALLY FOR CUTTING ALUMINUM
- RUBBER MALLET
- 4" C-CLAMP

DRAWING TITLE:
OVERVIEW, PARTS LIST

DATE: 4/16/2020
DRAWN BY: TJC

PRECISION RAIL
www.precisionrail.com
503.512.5353
855.776.7245





SAMPLE DECK PLAN

NOT TO SCALE

THINGS TO NOTE:

- WHICH SIDES OF YOUR POSTS GET DRILLED FOR RAILING CONNECTION BLOCKS.
- MAXIMUM POST SPACING IS 5'-0" FROM CENTER OF POST TO CENTER OF POST.
- ALL GAPS, INCLUDING THE SPACE BETWEEN A WALL AND A POST CANNOT EXCEED 4".
- THE CENTERLINE OF YOUR RAILING SHOULD BE A MINIMUM OF 4" FROM THE EDGE OF DECK.
- IT IS RECOMMENDED THAT YOU SHOULD SPACE YOUR POSTS AN EQUAL DISTANCE APART WHEREVER POSSIBLE.

DRAWING TITLE:

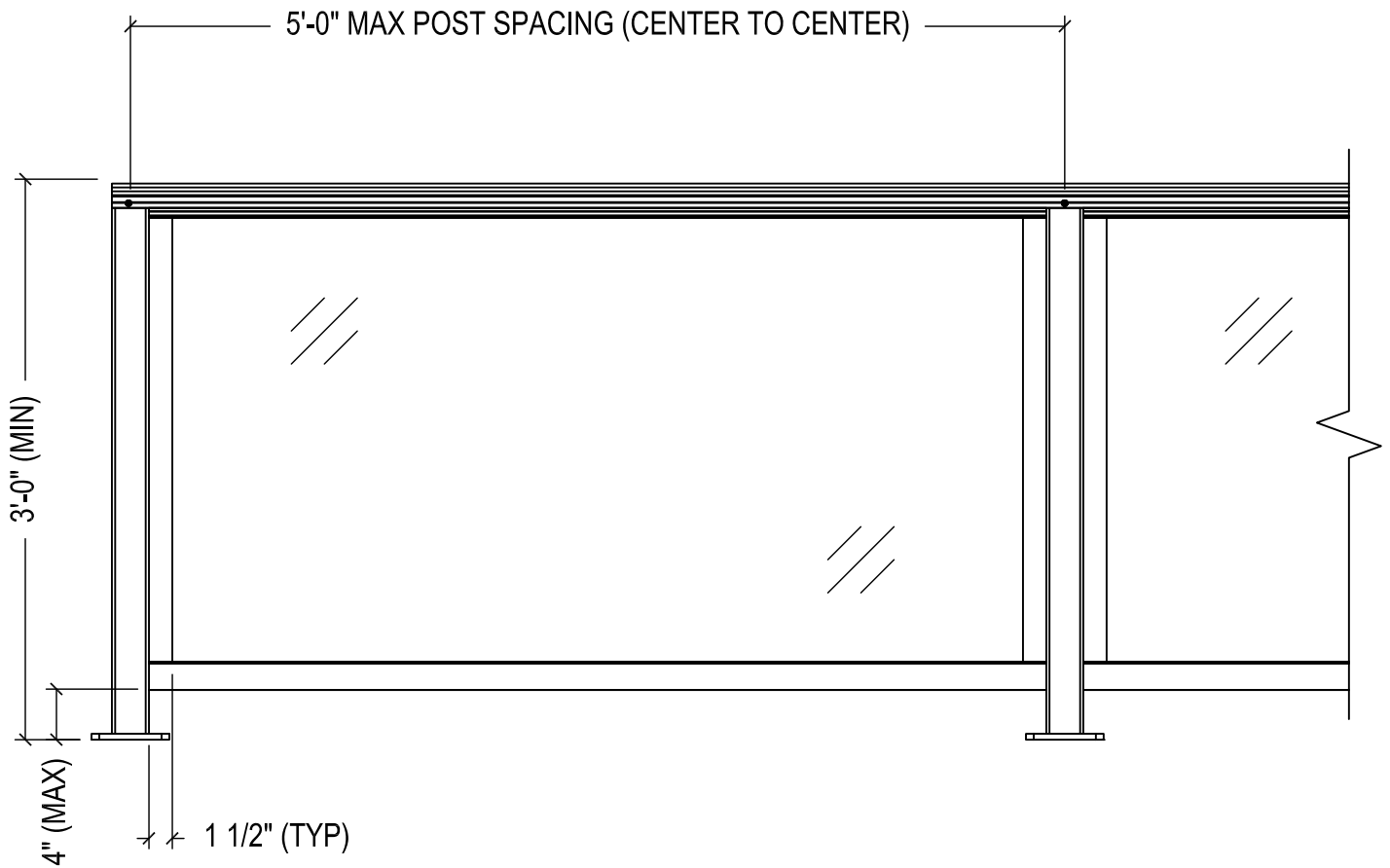
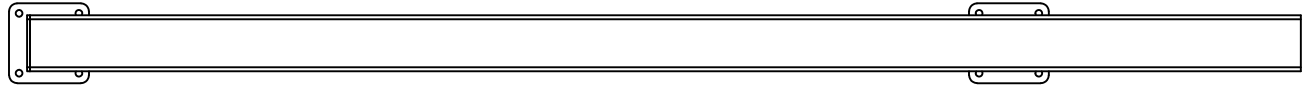
OVERVIEW, SAMPLE DECK PLAN

DATE: 4/16/2020

DRAWN BY: TJC

PRECISION RAIL
www.precisionrail.com
 503.512.5353
 855.776.7245



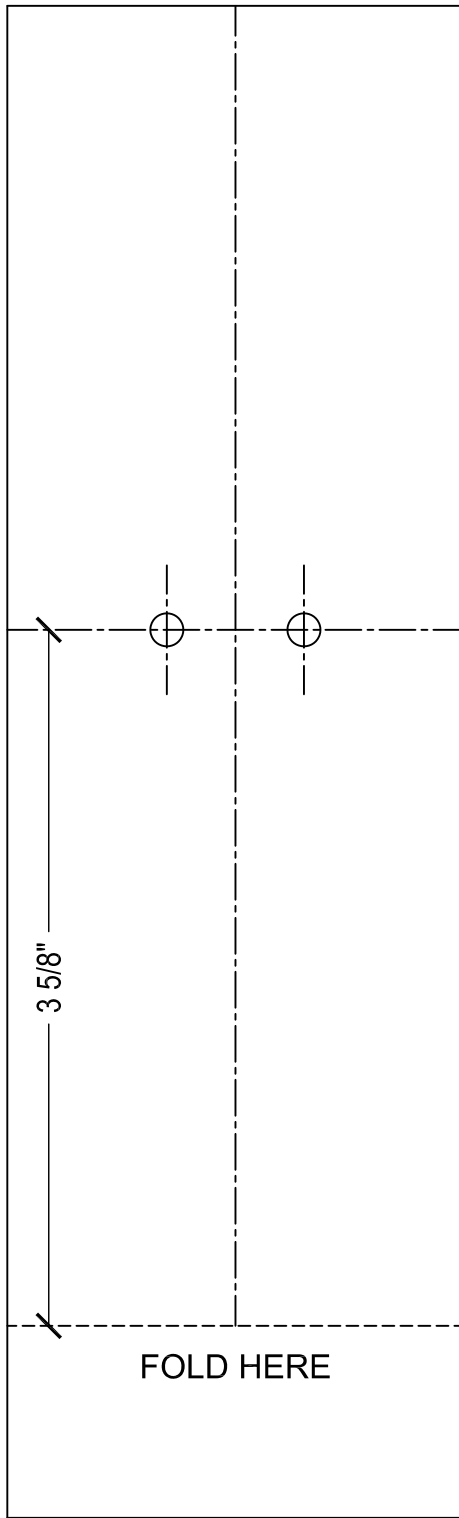


DRAWING TITLE:
OVERVIEW, DIMENSIONS

DATE: 4/16/2020
DRAWN BY: TJC

PRECISION RAIL
www.precisionrail.com
503.512.5353
855.776.7245

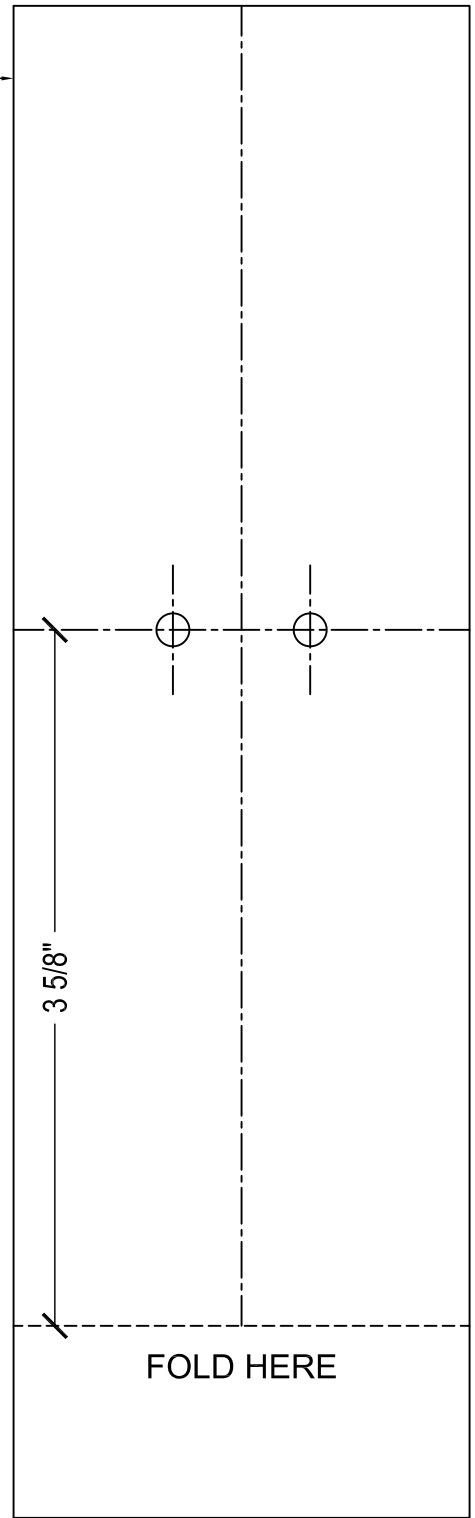




CUT AROUND
THIS BORDER

CUT OUT TEMPLATE AND FOLD ON DASHED
LINE TO MARK DRILL HOLES

PHOTO COPY AS REQ'D FOR ADDITIONAL TEMPLATES
ENSURE PROPER SIZING OF COPY BEFORE USE



CUT AROUND
THIS BORDER

DRAWING TITLE:

STEP 1: RCB INSTALLATION

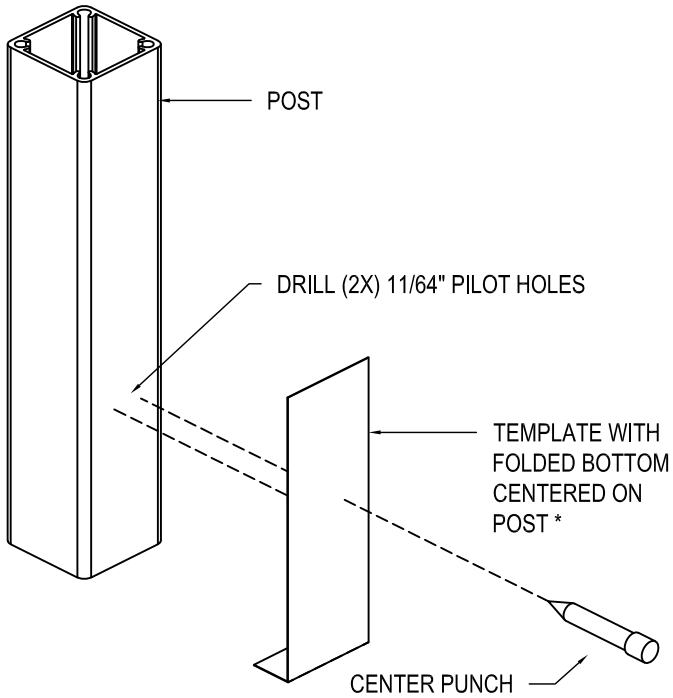
DATE: 4/16/2020

DRAWN BY: TJC

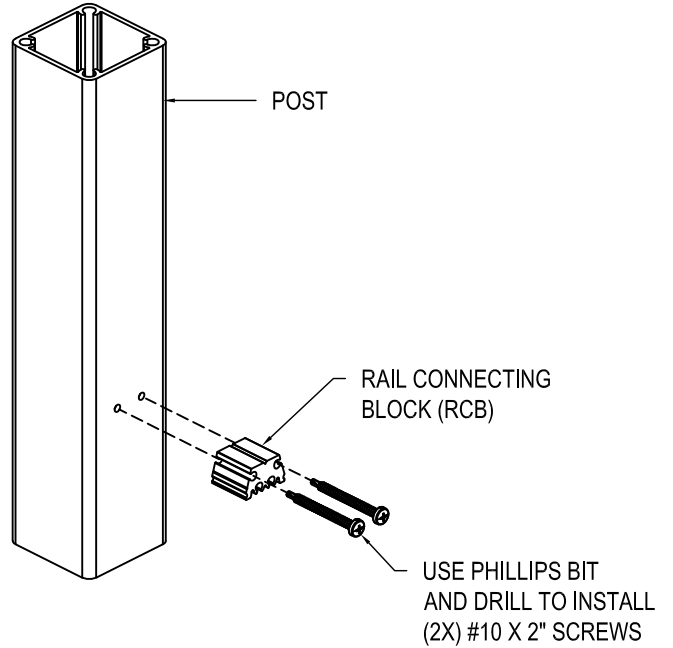
PRECISION RAIL
www.precisionrail.com
503.512.5353
855.776.7245



INTENTIONALLY BLANK



CENTER PUNCH AND DRILL BOTTOM HOLES



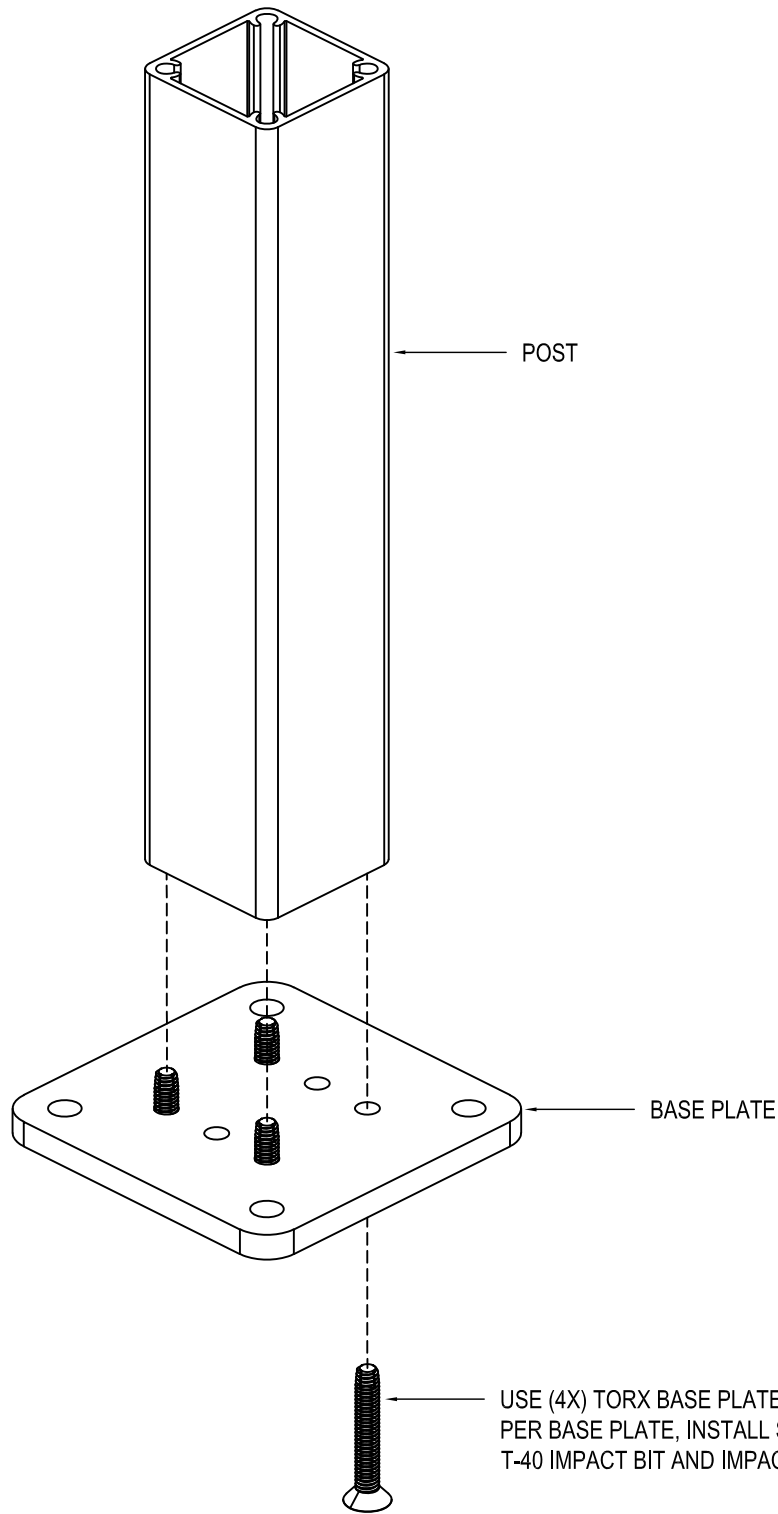
INSTALL BOTTOM CONNECTING BLOCK

DRAWING TITLE:
STEP 1: RCB INSTALLATION

DATE: 4/16/2020
DRAWN BY: TJC

PRECISION RAIL
www.precisionrail.com
503.512.5353
855.776.7245





DRAWING TITLE:

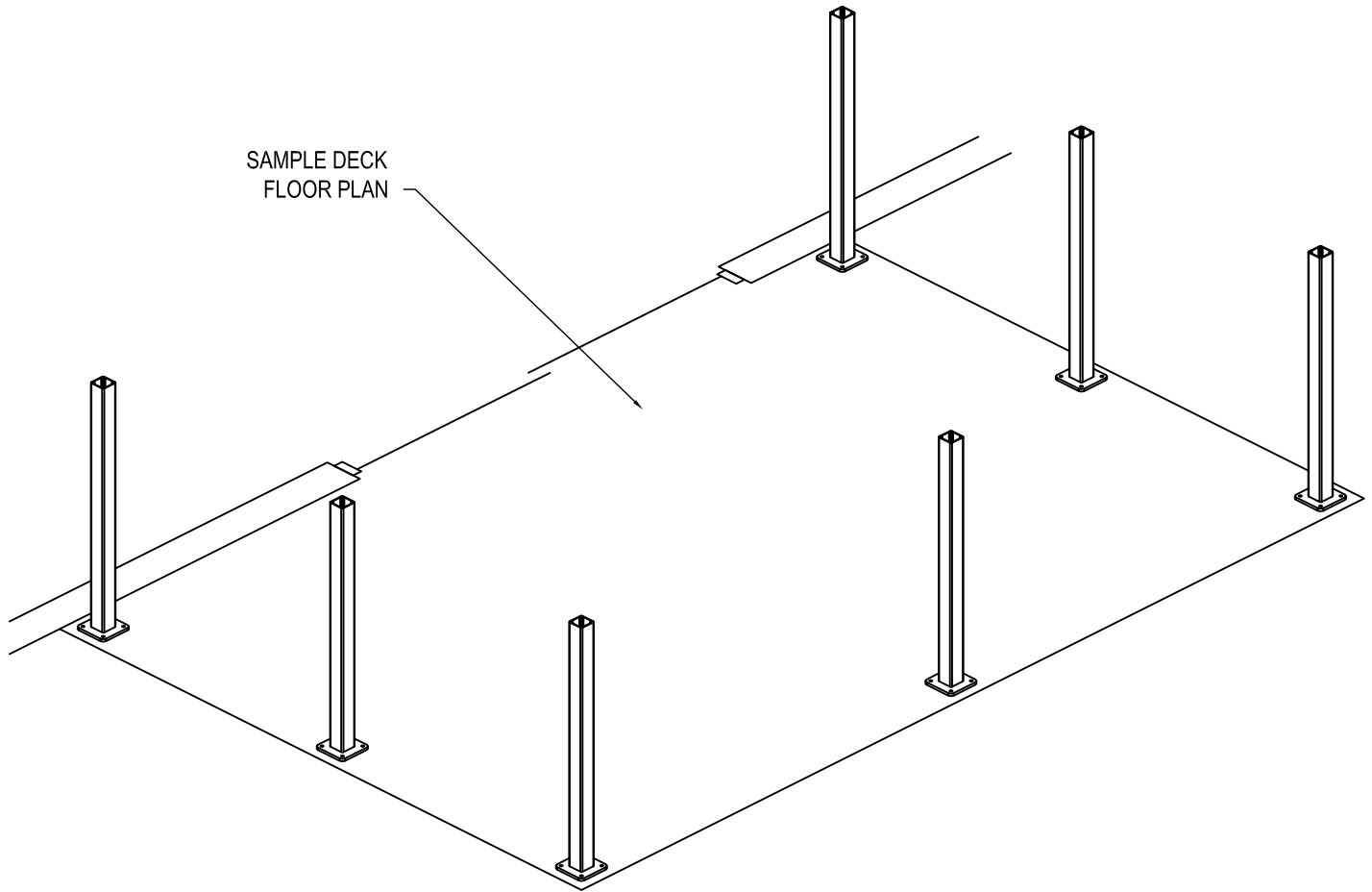
STEP 2: BASE PLATE INSTALLATION

DATE: 4/16/2020

DRAWN BY: TJC

PRECISION RAIL
www.precisionrail.com
503.512.5353
855.776.7245





THINGS TO NOTE:

- USING A TAPE MEASURE AND A STRING LINE, PLACE ALL OF YOUR POSTS IN THEIR PROPER LOCATIONS PER YOUR DECK PLANS.
- USE A LEVEL ON TWO ADJACENT SIDES OF EACH POST TO ENSURE THE POST IS PLUMB. IF IT IS NOT, USE SHIMS AS REQUIRED UNDER THE BASE PLATE.
- BE SURE TO FOLLOW MINIMUM AND MAXIMUM DIMENSIONAL REQUIREMENTS AS LISTED ON THE SAMPLE DECK PLAN.

DRAWING TITLE:

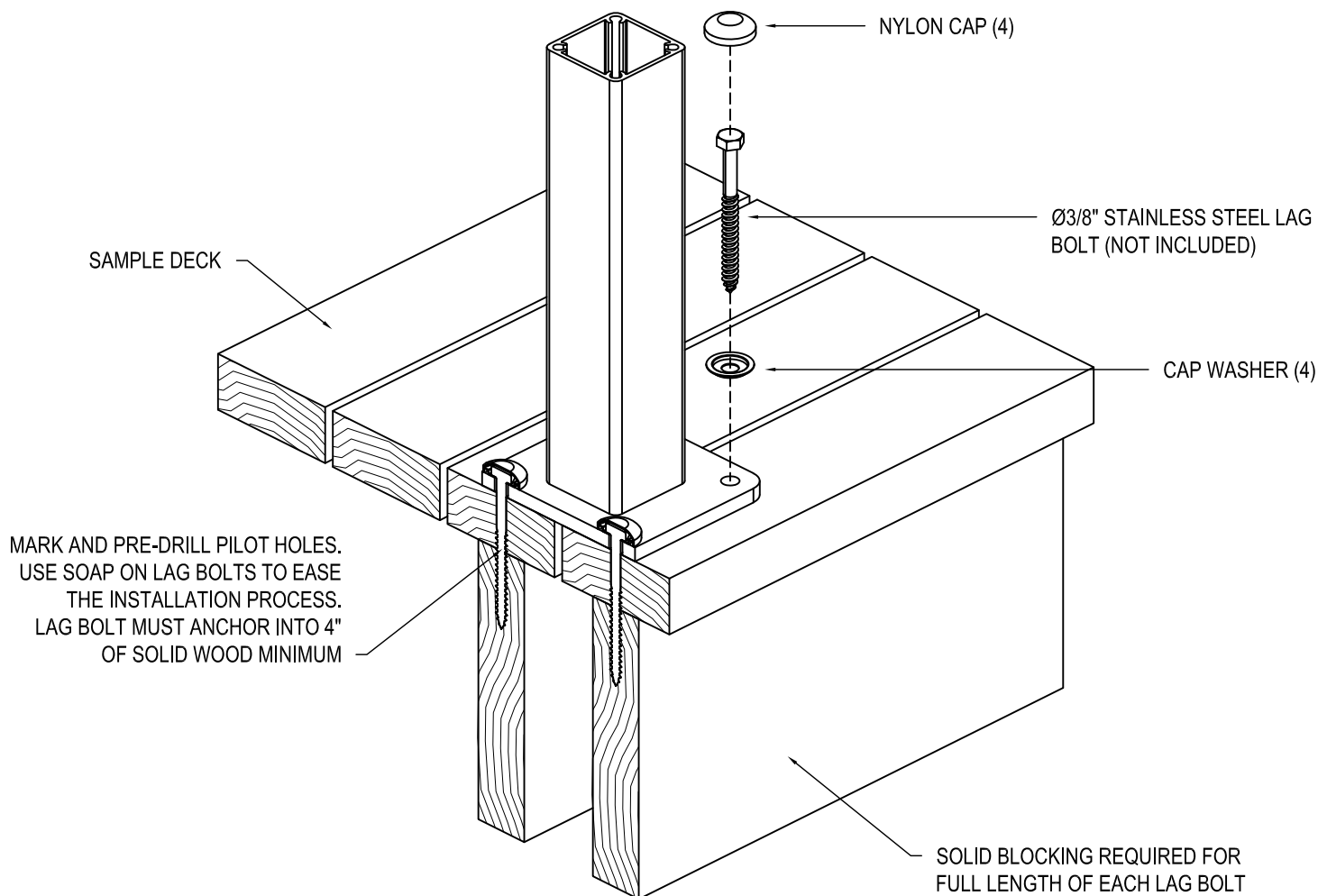
STEP 3: PLACING THE POSTS

DATE: 4/16/2020

DRAWN BY: TJC

PRECISION RAIL
www.precisionrail.com
503.512.5353
855.776.7245





SAMPLE ONLY

LAG BOLTS NOT INCLUDED

DRAWING TITLE:

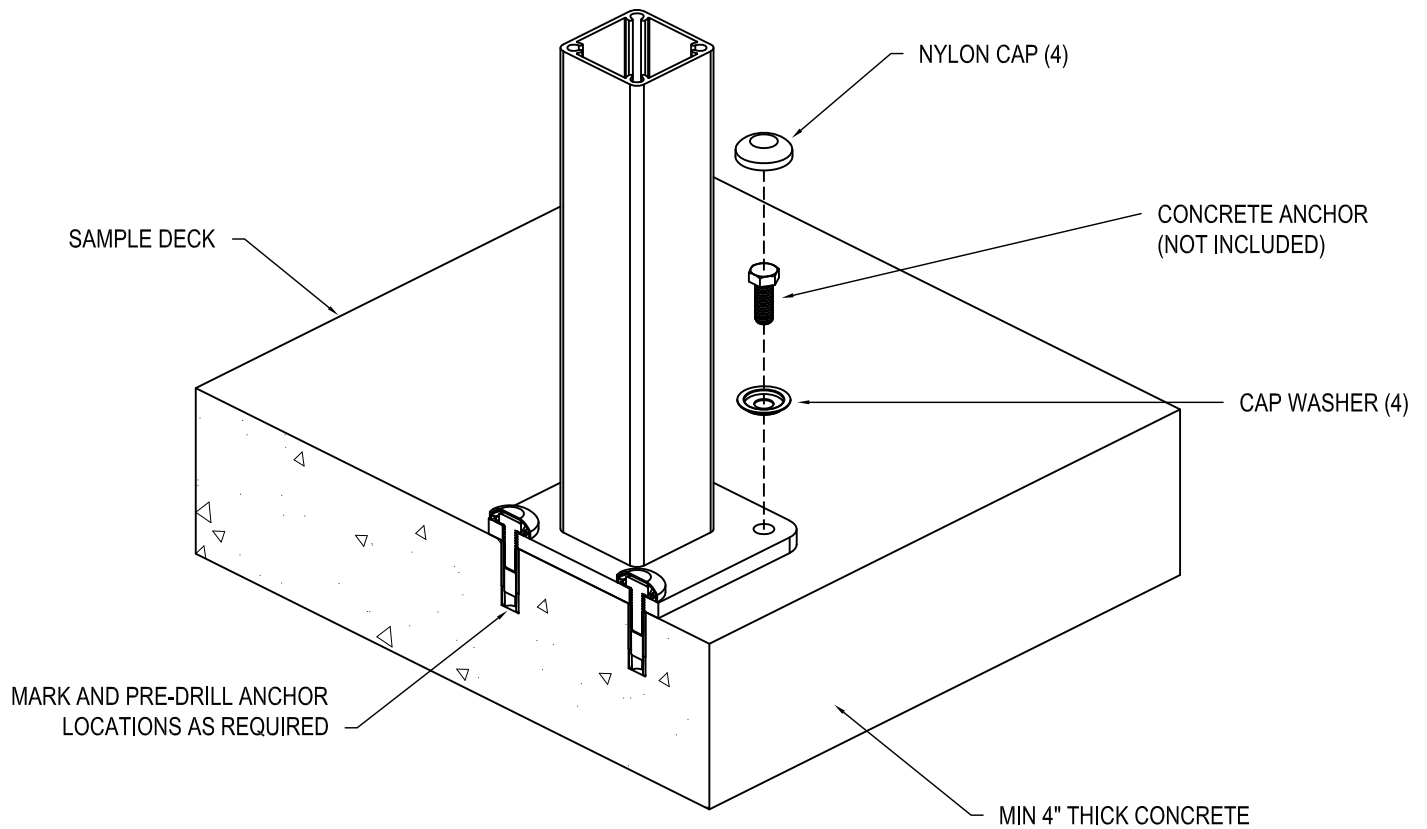
STEP 3: TYP WOOD CONNECTION

DATE: 4/16/2020

DRAWN BY: TJC

PRECISION RAIL
www.precisionrail.com
 503.512.5353
 855.776.7245





SAMPLE ONLY

ANCHOR BOLTS NOT INCLUDED

DRAWING TITLE:

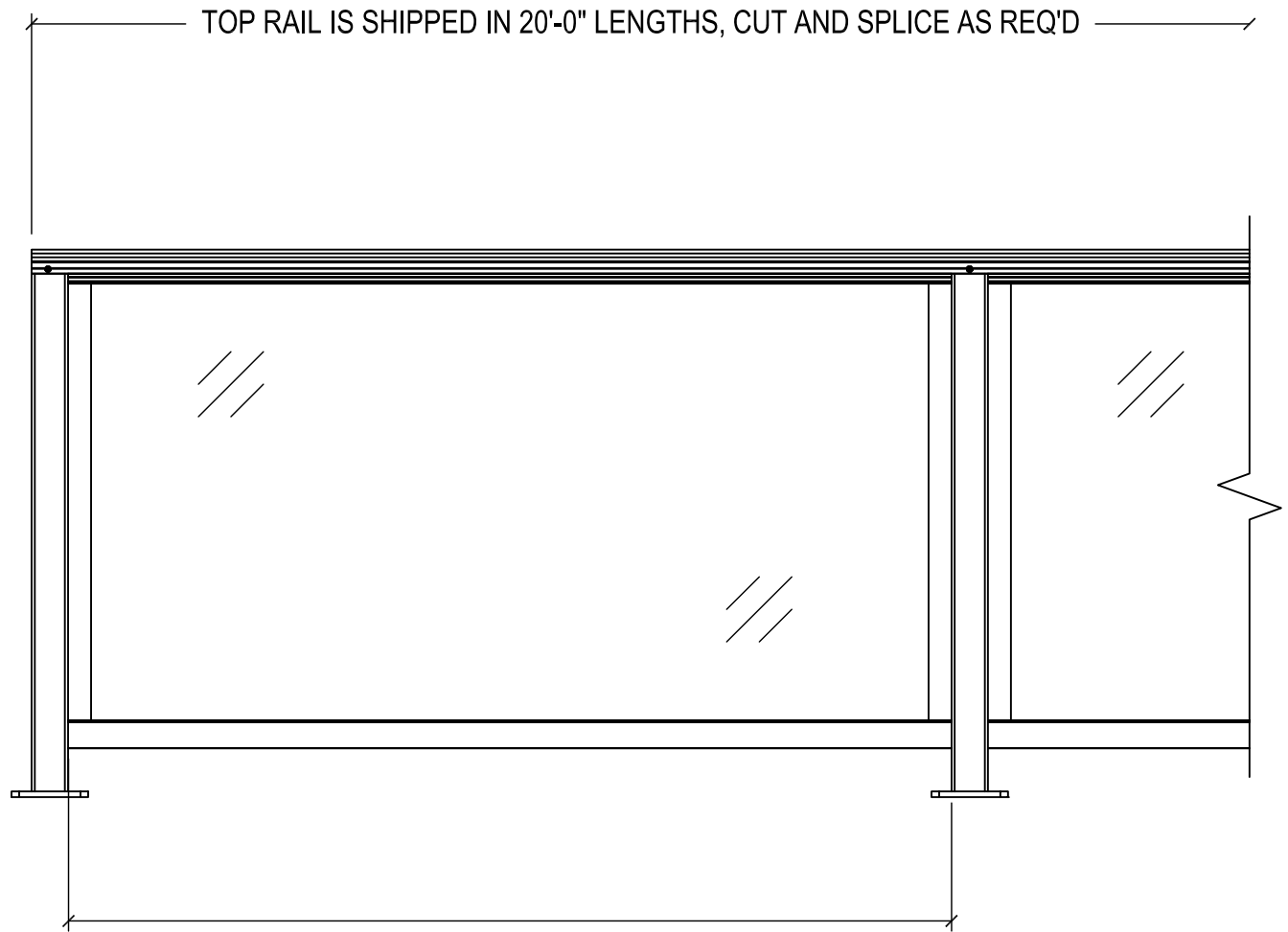
STEP 3: TYP CONCRETE CONNECTION

DATE: 4/16/2020

DRAWN BY: TJC

PRECISION RAIL
www.precisionrail.com
 503.512.5353
 855.776.7245





THINGS TO NOTE:

- INSTALL ALL POSTS BEFORE CUTTING TOP AND BOTTOM RAILS.
- USE AN ELECTRIC MITER SAW WITH A 10" CARBIDE BLADE SPECIFICALLY FOR CUTTING ALUMINUM.
- CUT AND DOUBLE CHECK FIT BEFORE ATTACHING RAILS WITH SCREWS

DRAWING TITLE:

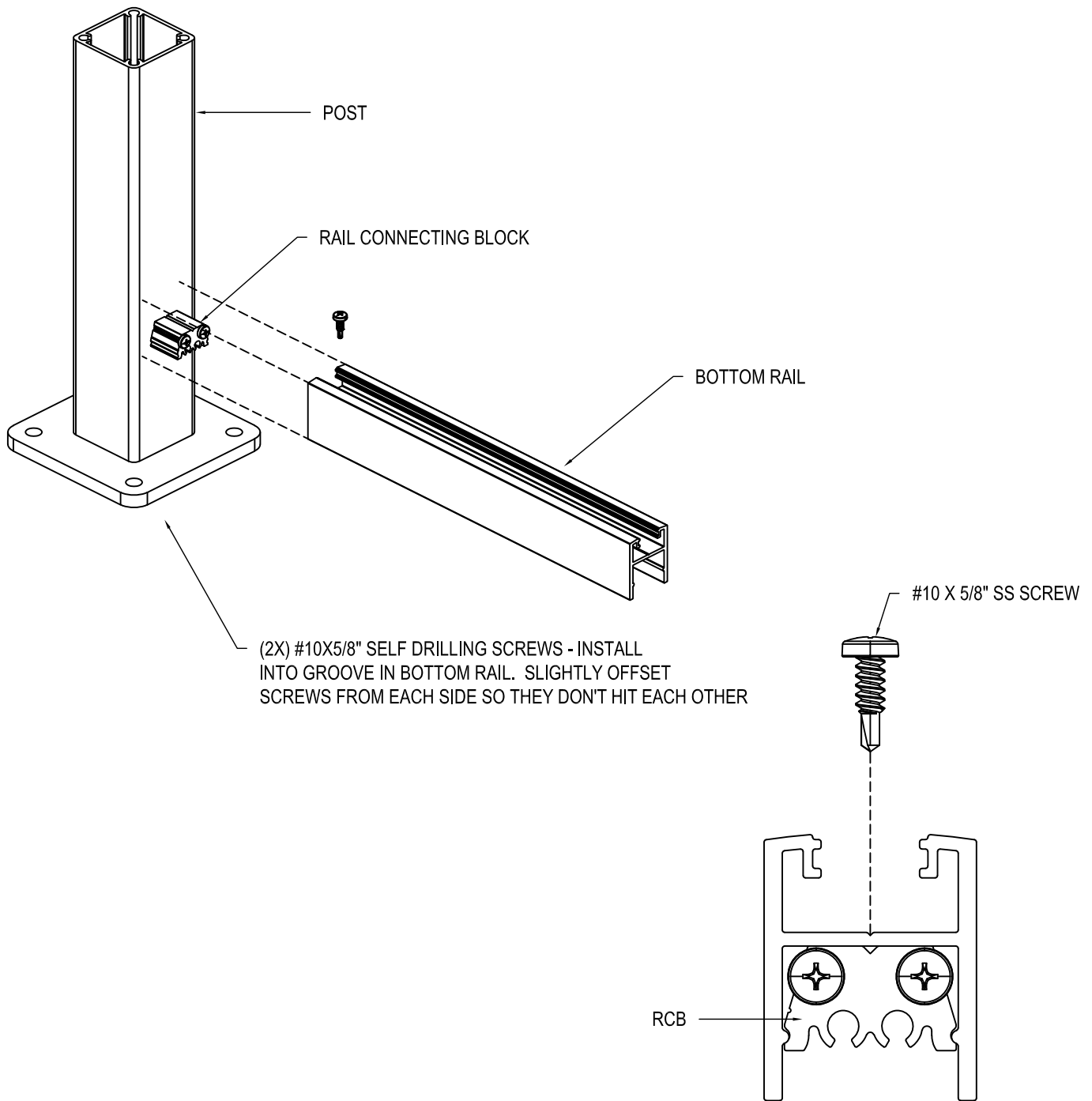
STEP 4: TOP AND BOTTOM RAIL

DATE: 4/16/2020

DRAWN BY: TJC

PRECISION RAIL
www.precisionrail.com
 503.512.5353
 855.776.7245





INSTALL BOTTOM RAIL BEFORE TOP RAIL

DRAWING TITLE:

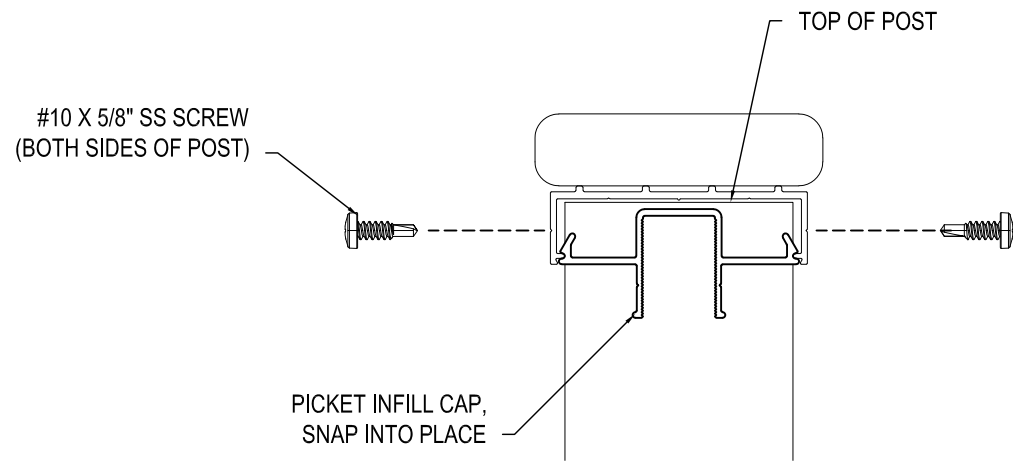
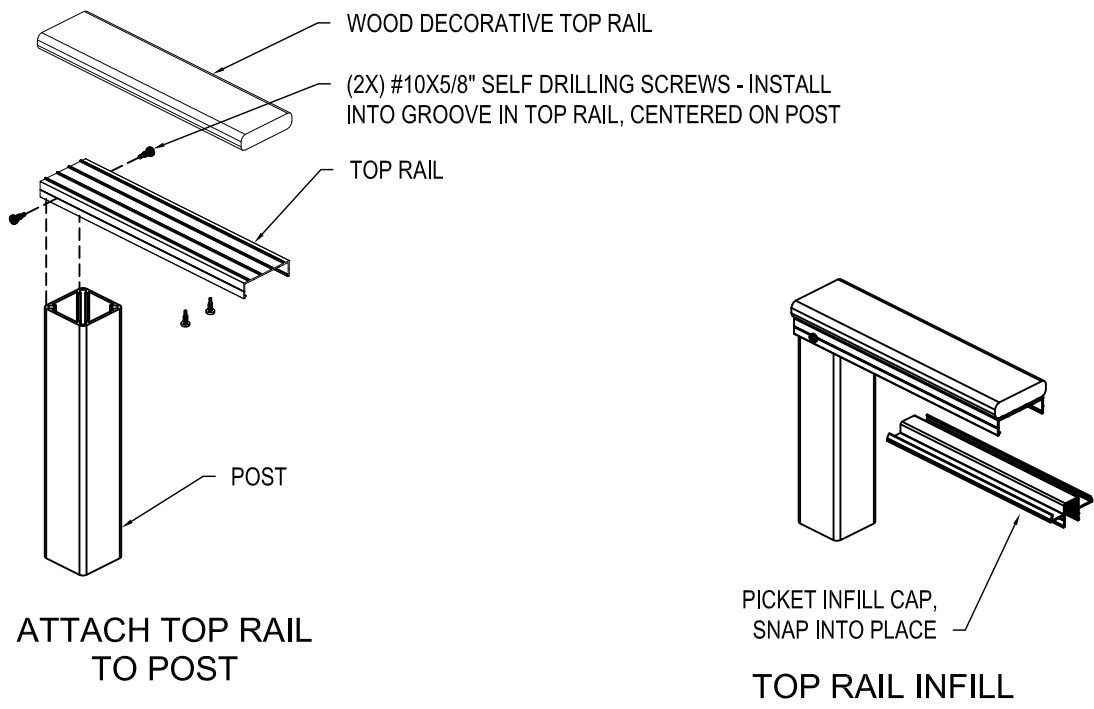
STEP 4: BOTTOM RAIL INSTALLATION

DATE: 4/16/2020

DRAWN BY: TJC

PRECISION RAIL
www.precisionrail.com
 503.512.5353
 855.776.7245





INSTALL BOTTOM RAIL BEFORE TOP RAIL

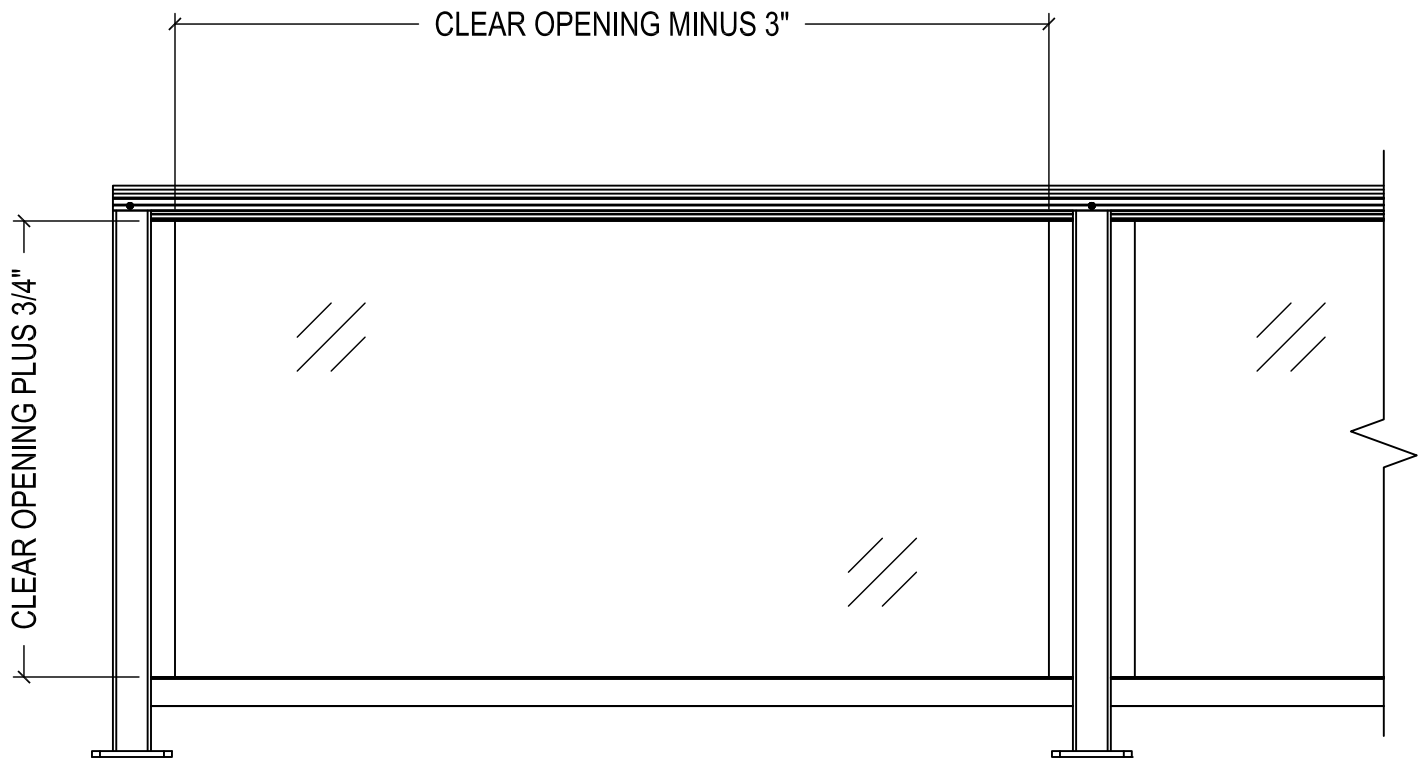
DRAWING TITLE:
STEP 4: TOP RAIL INSTALLATION

DATE: 4/16/2020
 DRAWN BY: TJC

PRECISION RAIL
www.precisionrail.com
 503.512.5353
 855.776.7245



GLASS SIZE CALCULATOR



DRAWING TITLE:

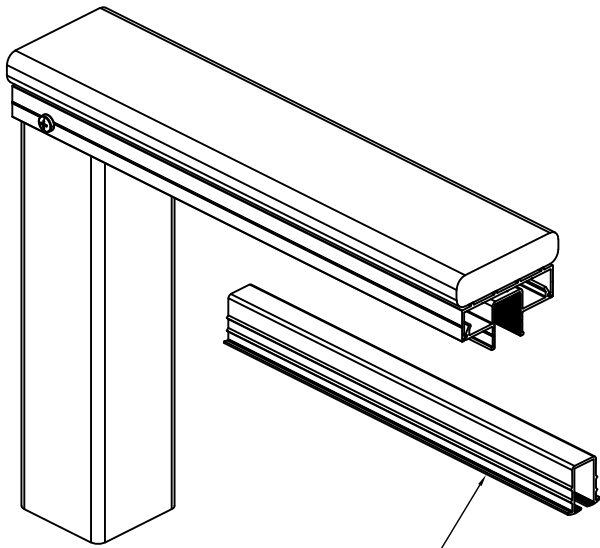
STEP 5: GLASS INFILL

DATE: 4/16/2020

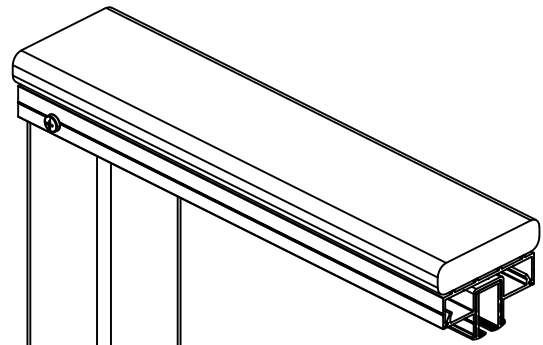
DRAWN BY: TJC

PRECISION RAIL
www.precisionrail.com
503.512.5353
855.776.7245

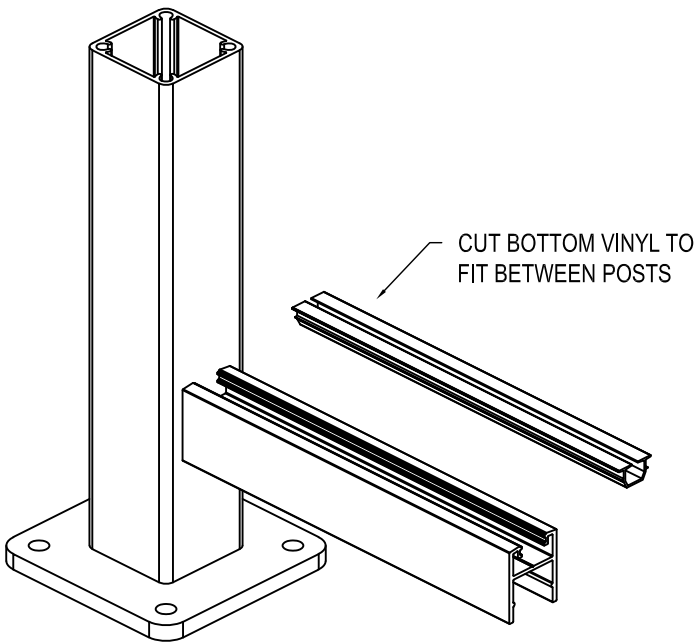
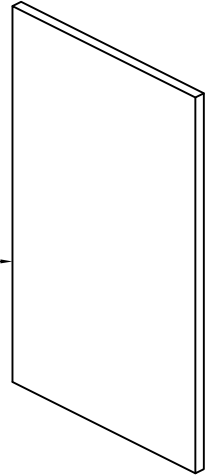




CUT TOP VINYL TO FIT
BETWEEN POSTS

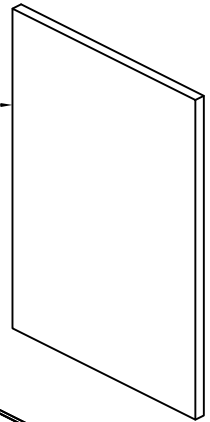


GLASS



CUT BOTTOM VINYL TO FIT
BETWEEN POSTS

GLASS



DRAWING TITLE:

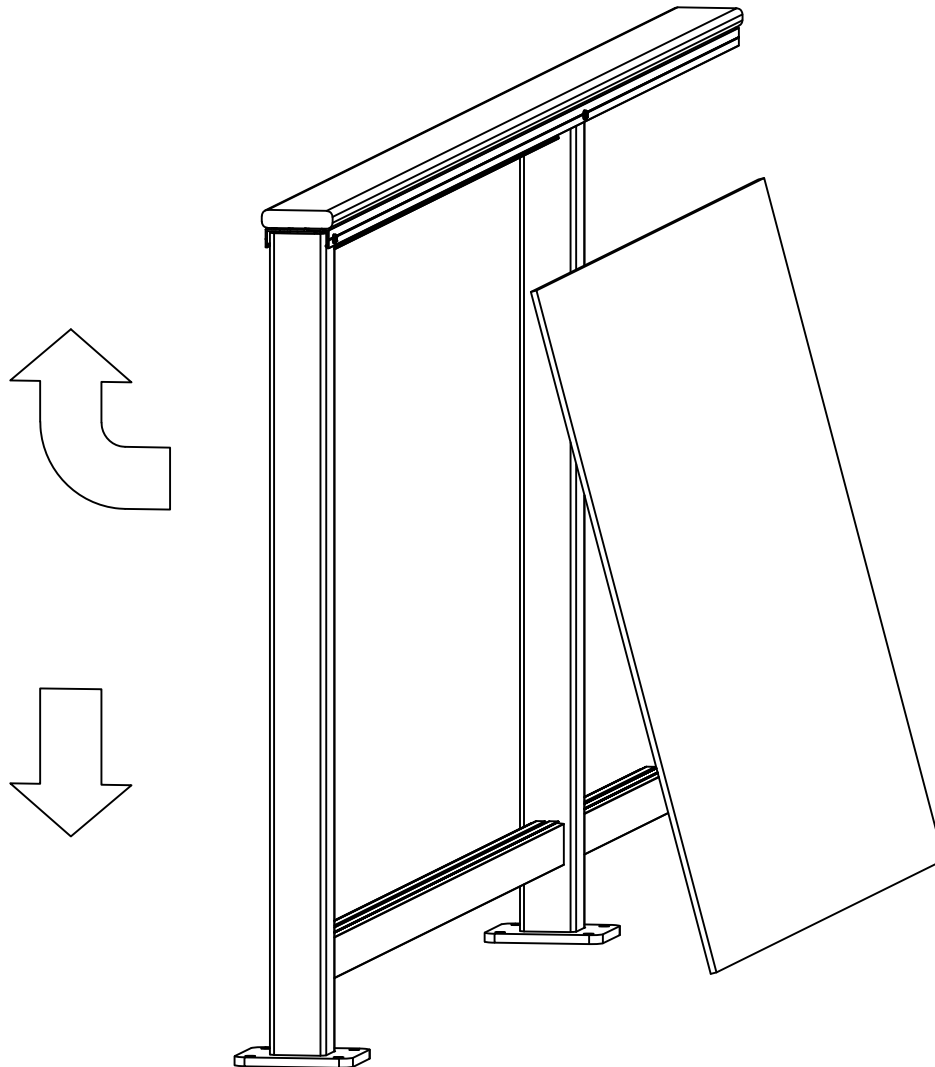
STEP 5: GLASS INFILL

DATE: 4/16/2020

DRAWN BY: TJC

PRECISION RAIL
www.precisionrail.com
503.512.5353
855.776.7245





- HOLD GLASS PANEL BY THE TWO SIDE EDGES OR WITH SUCTION CUPS.
- ANGLE GLASS SLIGHTLY TOWARDS TOP RAIL, SLIDE GLASS UP INTO TOP RAIL UNTIL GLASS CLEARS BOTTOM.
- SLIDE GLASS DOWN INTO BOTTOM RAIL.

DRAWING TITLE:

STEP 5: GLASS INFILL

DATE: 4/16/2020

DRAWN BY: TJC

PRECISION RAIL
www.precisionrail.com
503.512.5353
855.776.7245

