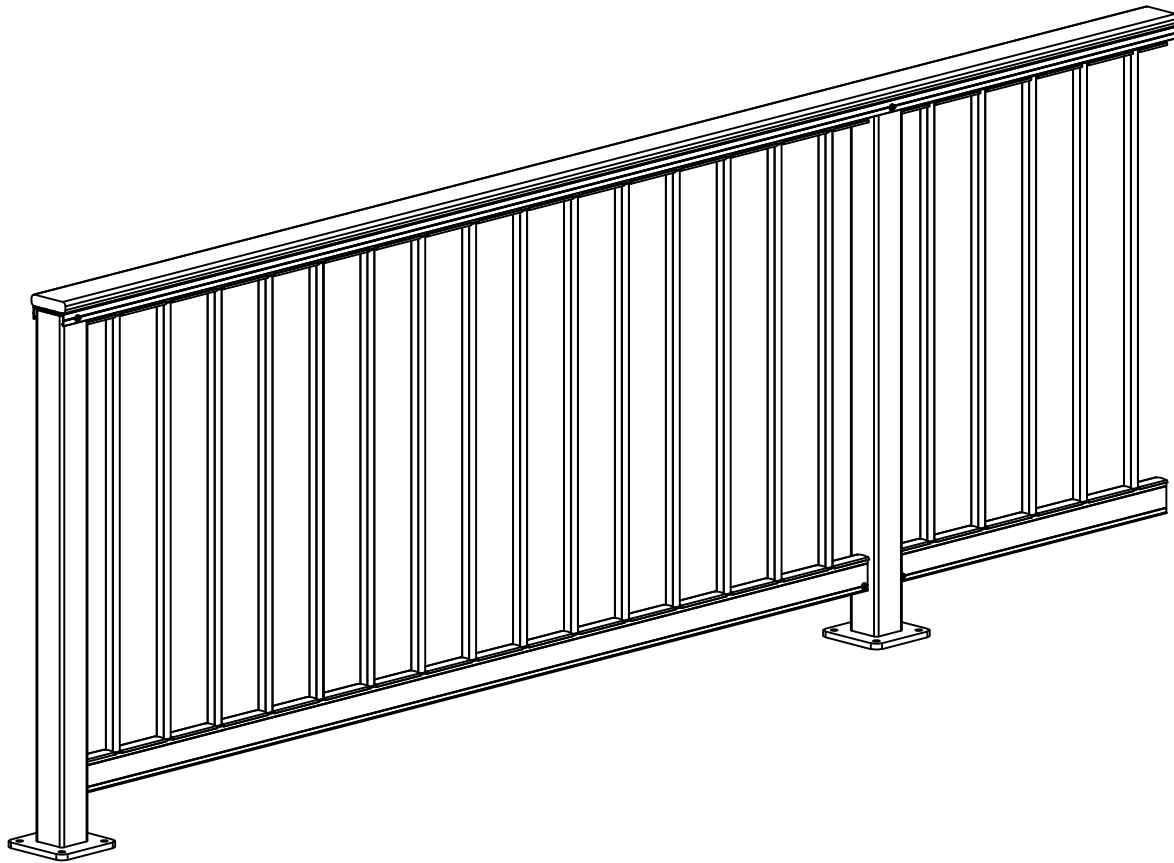


# SERIES 400 PICKET RAILING INSTALLATION INSTRUCTIONS

REVISION 0.0 (4/16/2020)



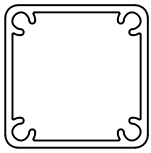
PLEASE READ THESE INSTRUCTIONS IN THEIR ENTIRETY PRIOR TO ASSEMBLING RAILING.  
IF YOU HAVE ANY QUESTIONS OR NEED ASSISTANCE, PLEASE CALL ONE OF THE NUMBERS BELOW.

**DRAWING TITLE:**  
**OVERVIEW, RAILING**

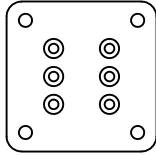
**DATE:** 4/16/2020  
**DRAWN BY:** TJC

**PRECISION RAIL**  
[www.precisionrail.com](http://www.precisionrail.com)  
503.512.5353  
855.776.7245

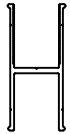




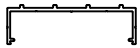
2 3/8" SQ POST



5" X 5" BASE PLATE



BOTTOM RAIL



TOP RAIL



TOP RAIL PICKET INFILL



CONNECTING BLOCK



PICKET



PICKET SPACER



PICKET VINYL INSERT

STOCK LENGTH MATERIAL



TOP VIEW



SIDE VIEW

NYLON BOLT CAPS



TOP VIEW



SIDE VIEW

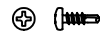
CAP WASHERS



BASE PLATE SCREWS



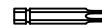
#10 X 2" SS SCREWS



#10 X 5/8" SS SCREWS



#8 X 3/4" FH SS SCREWS



(1) T-40 TORX IMPACT BIT

### HARDWARE

#### RECOMMENDED TOOLS

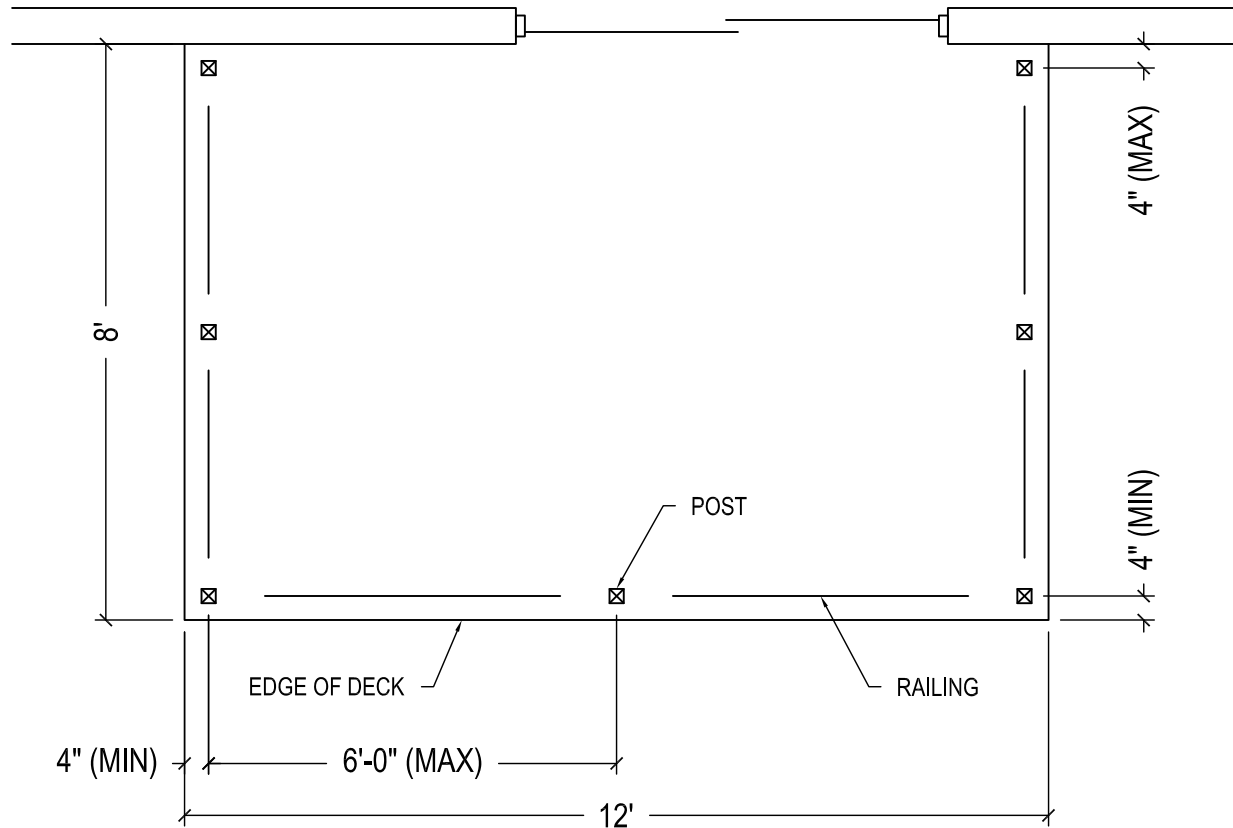
- SCISSORS
- CENTER PUNCH
- DRILL
- Ø11/64" DRILL BIT
- MASKING TAPE
- SOAP
- #2 PHILLIPS SCREW DRIVER BIT
- IMPACT DRIVER
- LEVEL
- PENCIL
- TAPE MEASURE
- STRING LINE
- SHIMS
- SPEED SQUARE
- ELECTRIC MITER SAW WITH A 10" CARBIDE BLADE SPECIFICALLY FOR CUTTING ALUMINUM
- RUBBER Mallet
- 4" C-CLAMP

DRAWING TITLE:  
**OVERVIEW, PARTS LIST**

DATE: 4/16/2020  
DRAWN BY: TJC

PRECISION RAIL  
www.precisionrail.com  
503.512.5353  
855.776.7245





## SAMPLE DECK PLAN

NOT TO SCALE

### THINGS TO NOTE:

- WHICH SIDES OF YOUR POSTS GET DRILLED FOR RAILING CONNECTION BLOCKS.
- MAXIMUM POST SPACING IS 6'-0" FROM CENTER OF POST TO CENTER OF POST.
- ALL GAPS, INCLUDING THE SPACE BETWEEN A WALL AND A POST CANNOT EXCEED 4".
- THE CENTERLINE OF YOUR RAILING SHOULD BE A MINIMUM OF 4" FROM THE EDGE OF DECK.
- IT IS RECOMMENDED THAT YOU SHOULD SPACE YOUR POSTS AN EQUAL DISTANCE APART WHEREVER POSSIBLE.

DRAWING TITLE:

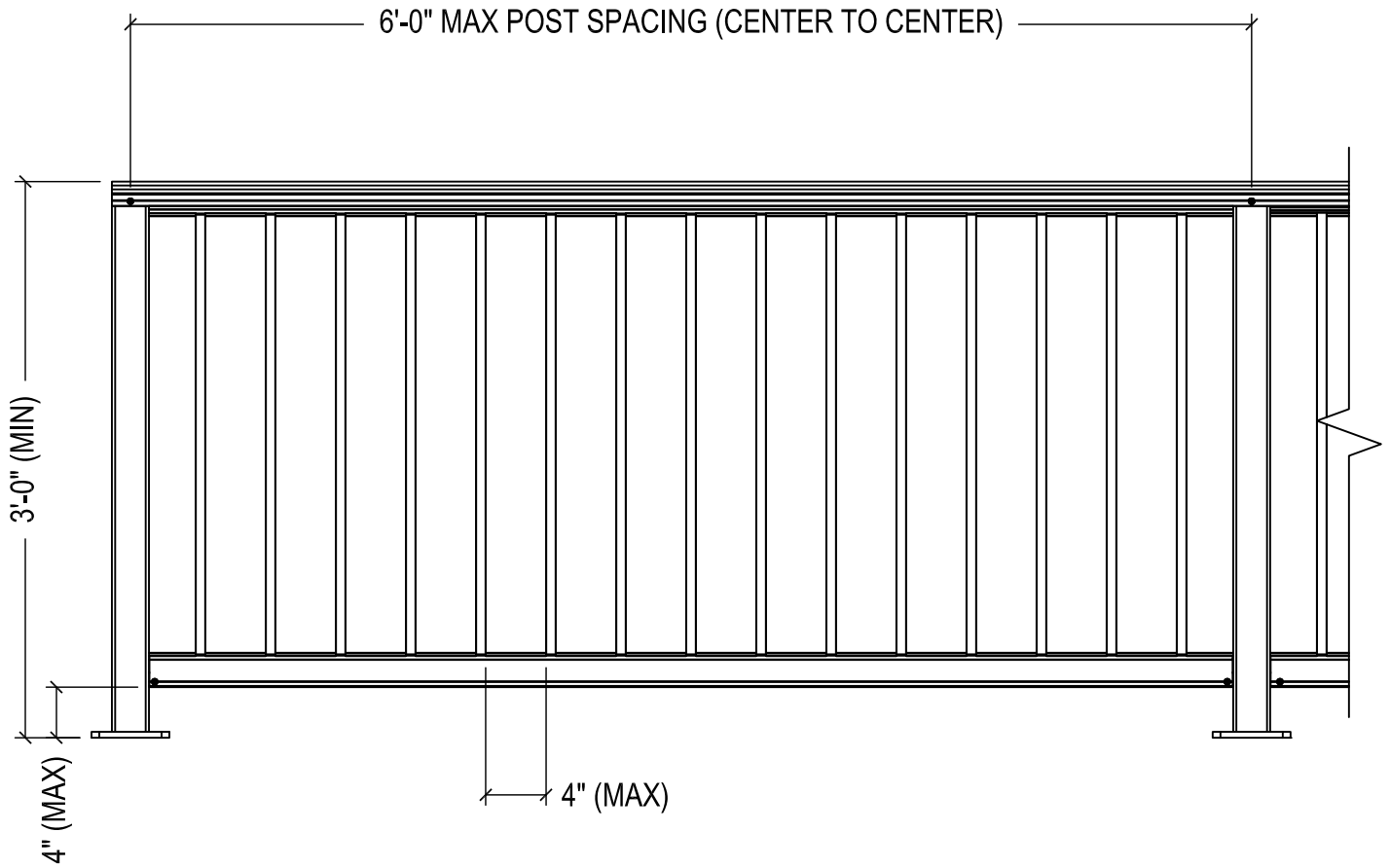
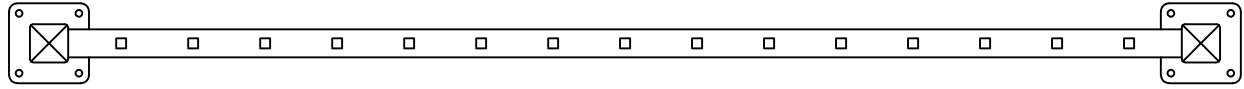
OVERVIEW, SAMPLE DECK PLAN

DATE: 4/16/2020

DRAWN BY: TJC

PRECISION RAIL  
[www.precisionrail.com](http://www.precisionrail.com)  
 503.512.5353  
 855.776.7245



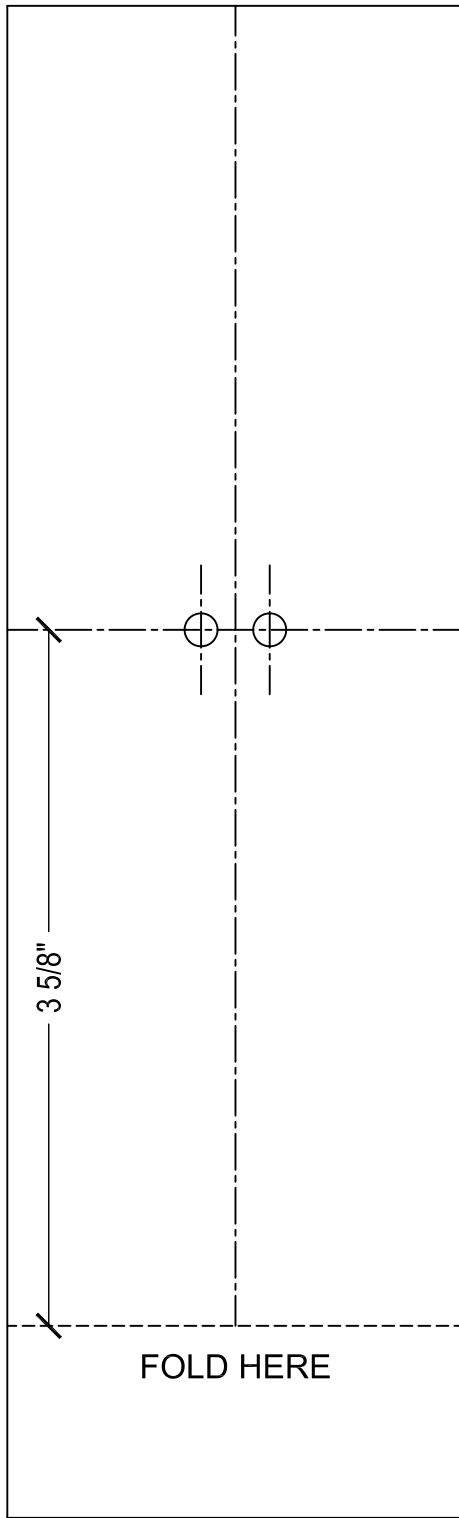


**DRAWING TITLE:**  
**OVERVIEW, DIMENSIONS**

**DATE:** 4/16/2020  
**DRAWN BY:** TJC

**PRECISION RAIL**  
[www.precisionrail.com](http://www.precisionrail.com)  
503.512.5353  
855.776.7245



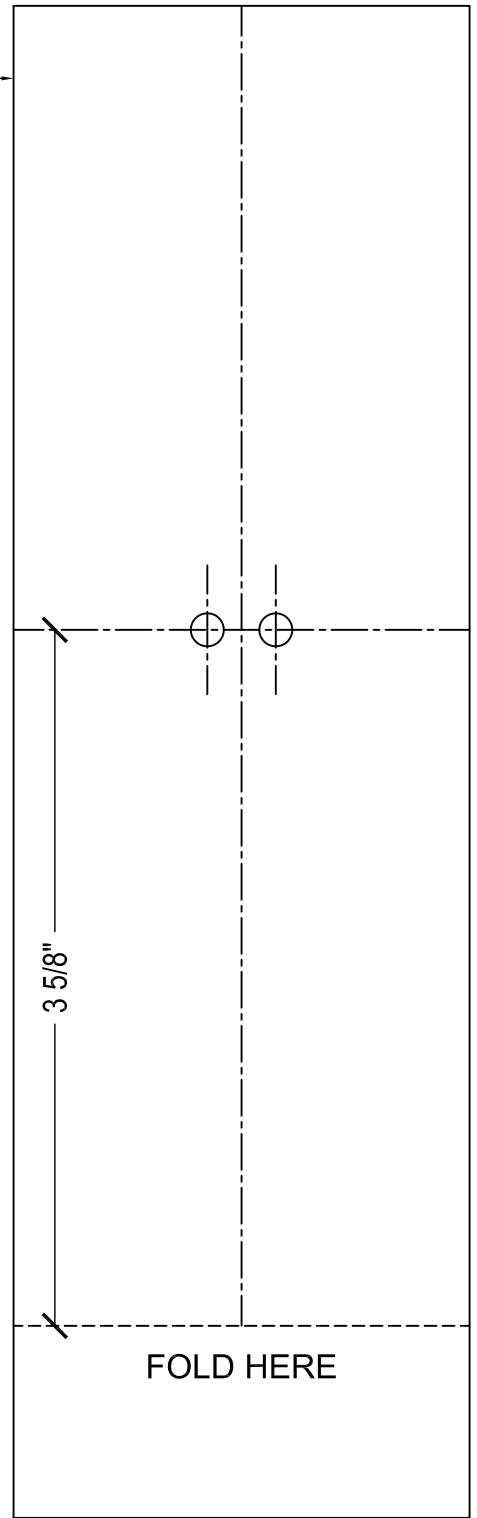


CUT AROUND THIS BORDER

CUT AROUND THIS BORDER

CUT OUT TEMPLATE AND FOLD ON DASHED LINE TO MARK DRILL HOLES

PHOTO COPY AS REQ'D FOR ADDITIONAL TEMPLATES  
ENSURE PROPER SIZING OF COPY BEFORE USE



DRAWING TITLE:

# STEP 1: RCB INSTALLATION

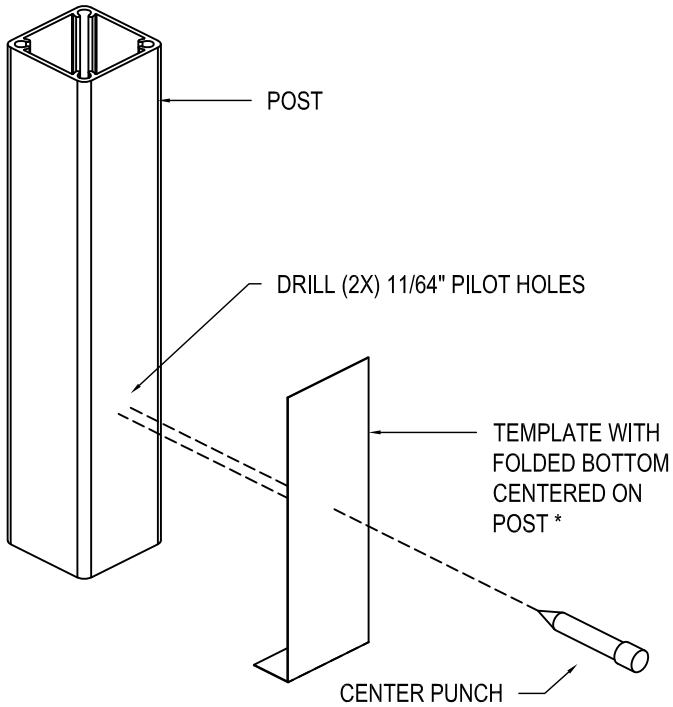
DATE: 4/16/2020

DRAWN BY: TJC

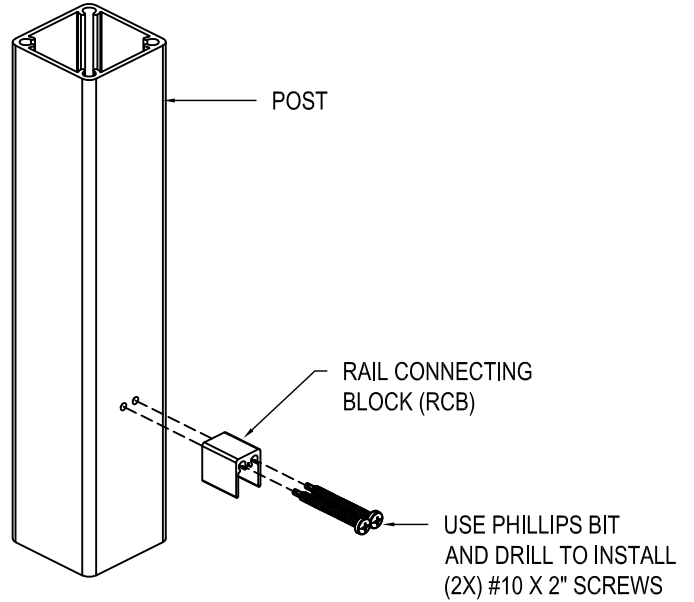
PRECISION RAIL  
www.precisionrail.com  
503.512.5353  
855.776.7245



INTENTIONALLY BLANK



CENTER PUNCH AND DRILL BOTTOM HOLES



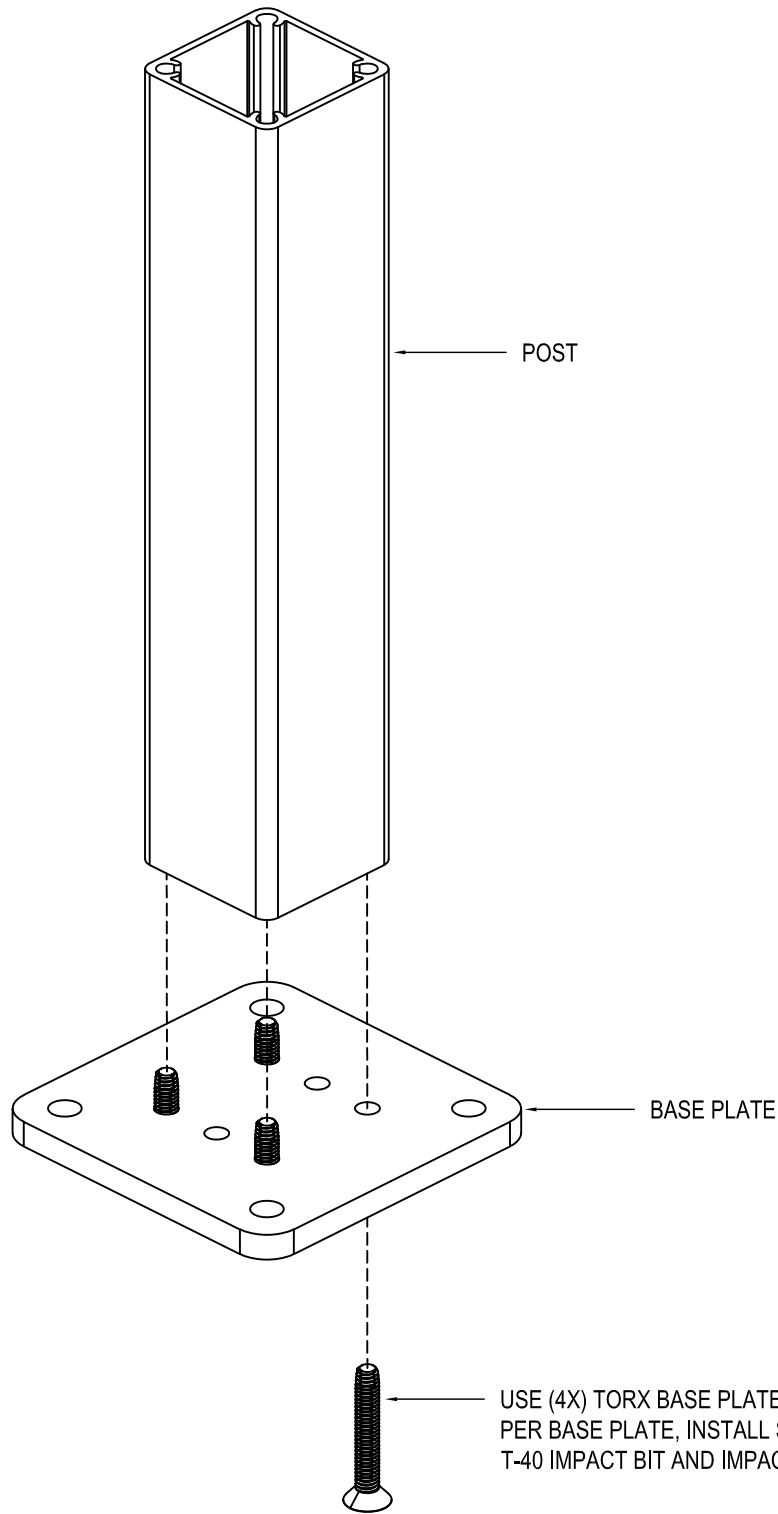
INSTALL BOTTOM CONNECTING BLOCK

DRAWING TITLE:  
**STEP 1: RCB INSTALLATION**

DATE: 4/16/2020  
 DRAWN BY: TJC

PRECISION RAIL  
[www.precisionrail.com](http://www.precisionrail.com)  
 503.512.5353  
 855.776.7245





DRAWING TITLE:

## STEP 2: BASE PLATE INSTALLATION

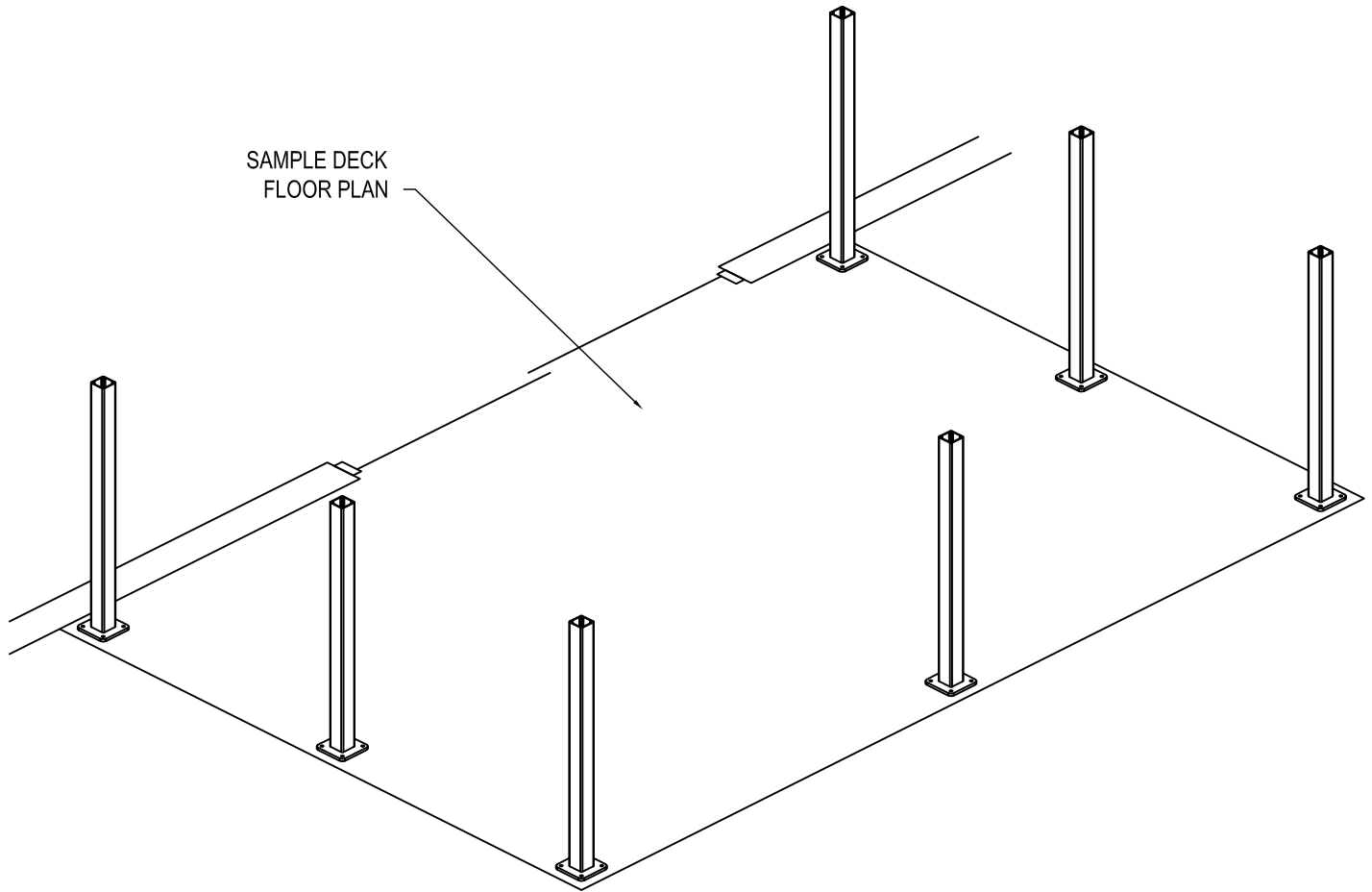
DATE: 4/16/2020

DRAWN BY: TJC

PRECISION RAIL  
[www.precisionrail.com](http://www.precisionrail.com)  
503.512.5353  
855.776.7245







THINGS TO NOTE:

- USING A TAPE MEASURE AND A STRING LINE, PLACE ALL OF YOUR POSTS IN THEIR PROPER LOCATIONS PER YOUR DECK PLANS.
- USE A LEVEL ON TWO ADJACENT SIDES OF EACH POST TO ENSURE THE POST IS PLUMB. IF IT IS NOT, USE SHIMS AS REQUIRED UNDER THE BASE PLATE.
- BE SURE TO FOLLOW MINIMUM AND MAXIMUM DIMENSIONAL REQUIREMENTS AS LISTED ON THE SAMPLE DECK PLAN.

DRAWING TITLE:

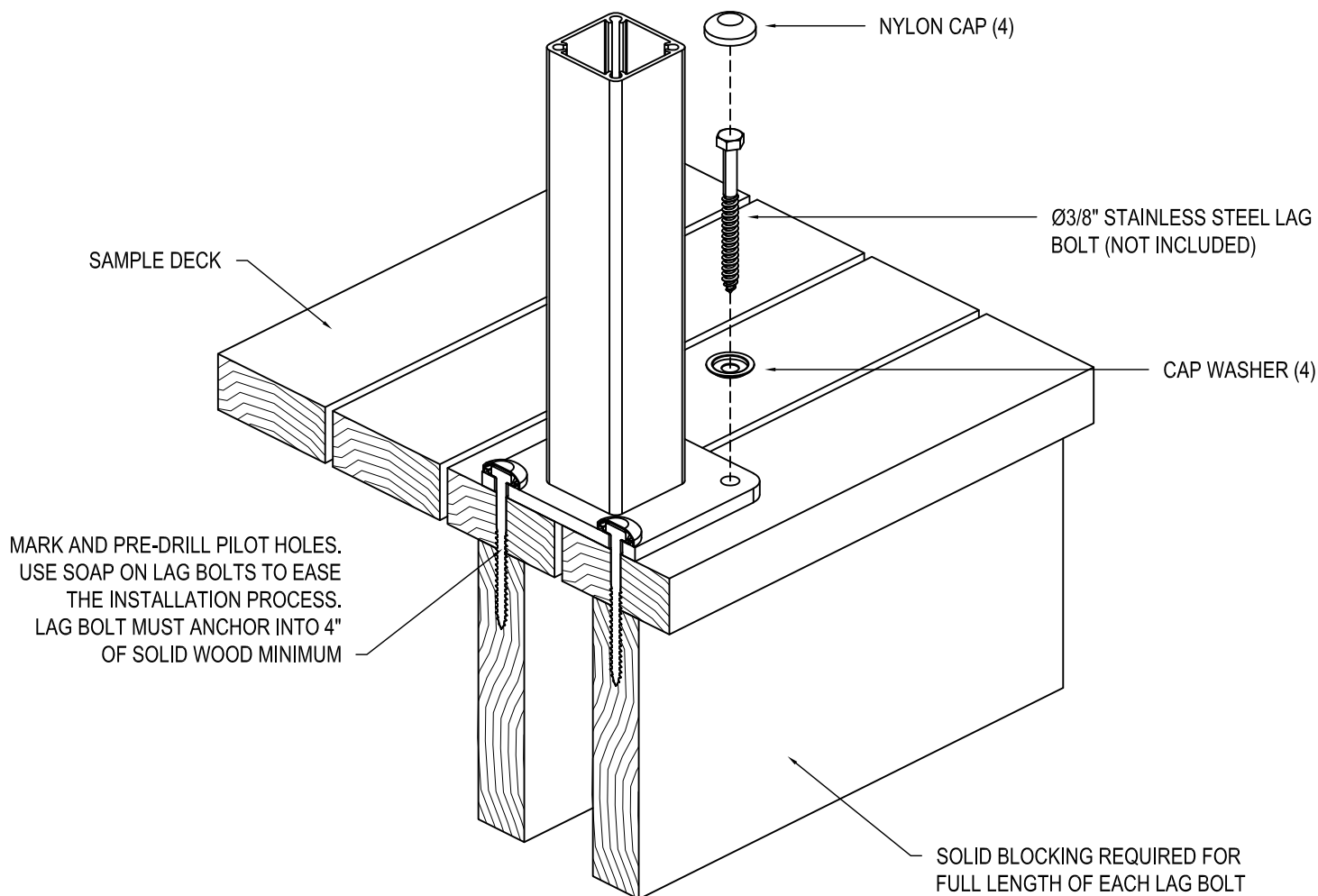
## STEP 3: PLACING THE POSTS

DATE: 4/16/2020

DRAWN BY: TJC

PRECISION RAIL  
www.precisionrail.com  
503.512.5353  
855.776.7245





## SAMPLE ONLY

LAG BOLTS NOT INCLUDED

DRAWING TITLE:

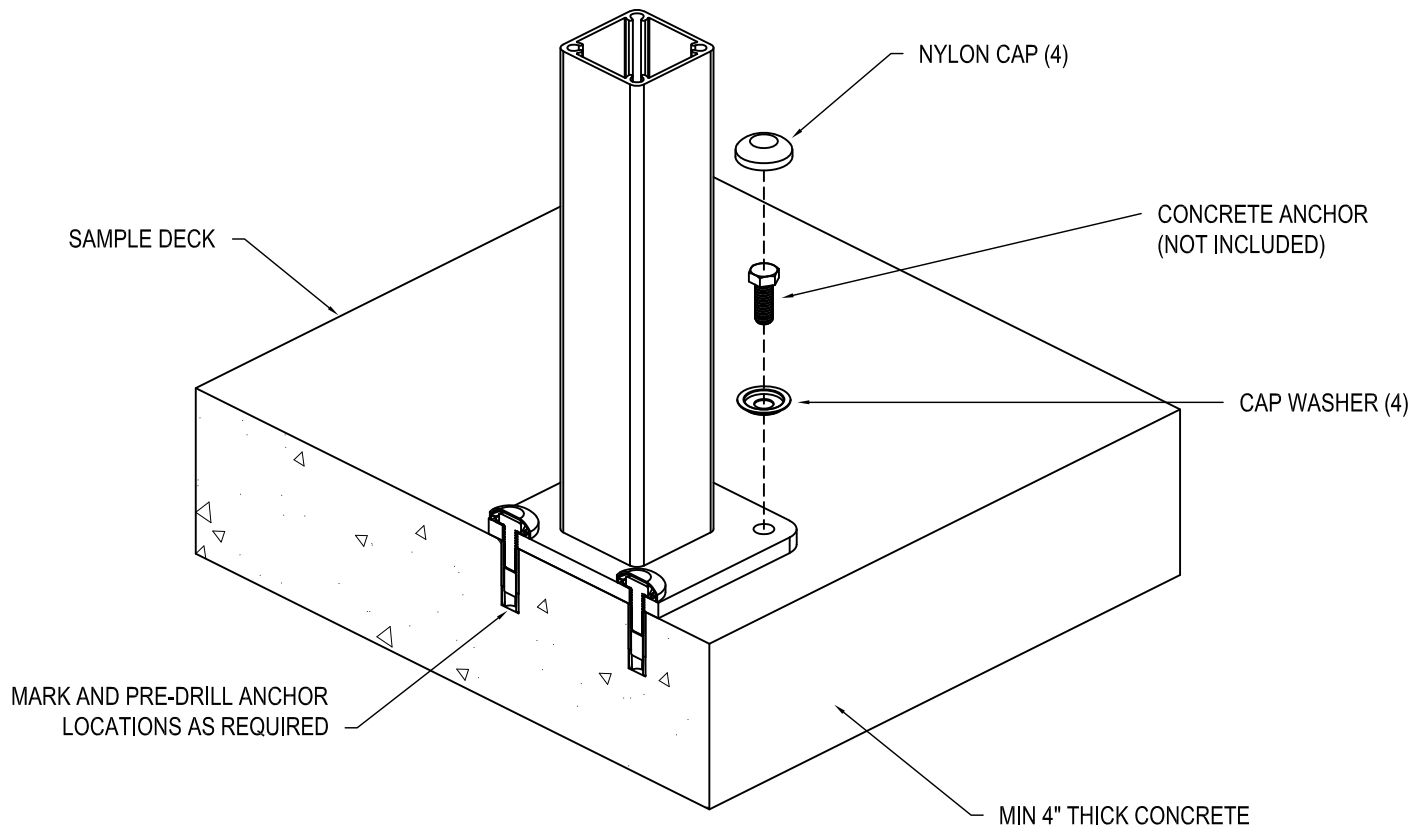
### STEP 3: TYP WOOD CONNECTION

DATE: 4/16/2020

DRAWN BY: TJC

PRECISION RAIL  
www.precisionrail.com  
503.512.5353  
855.776.7245





# SAMPLE ONLY

ANCHOR BOLTS NOT INCLUDED

DRAWING TITLE:

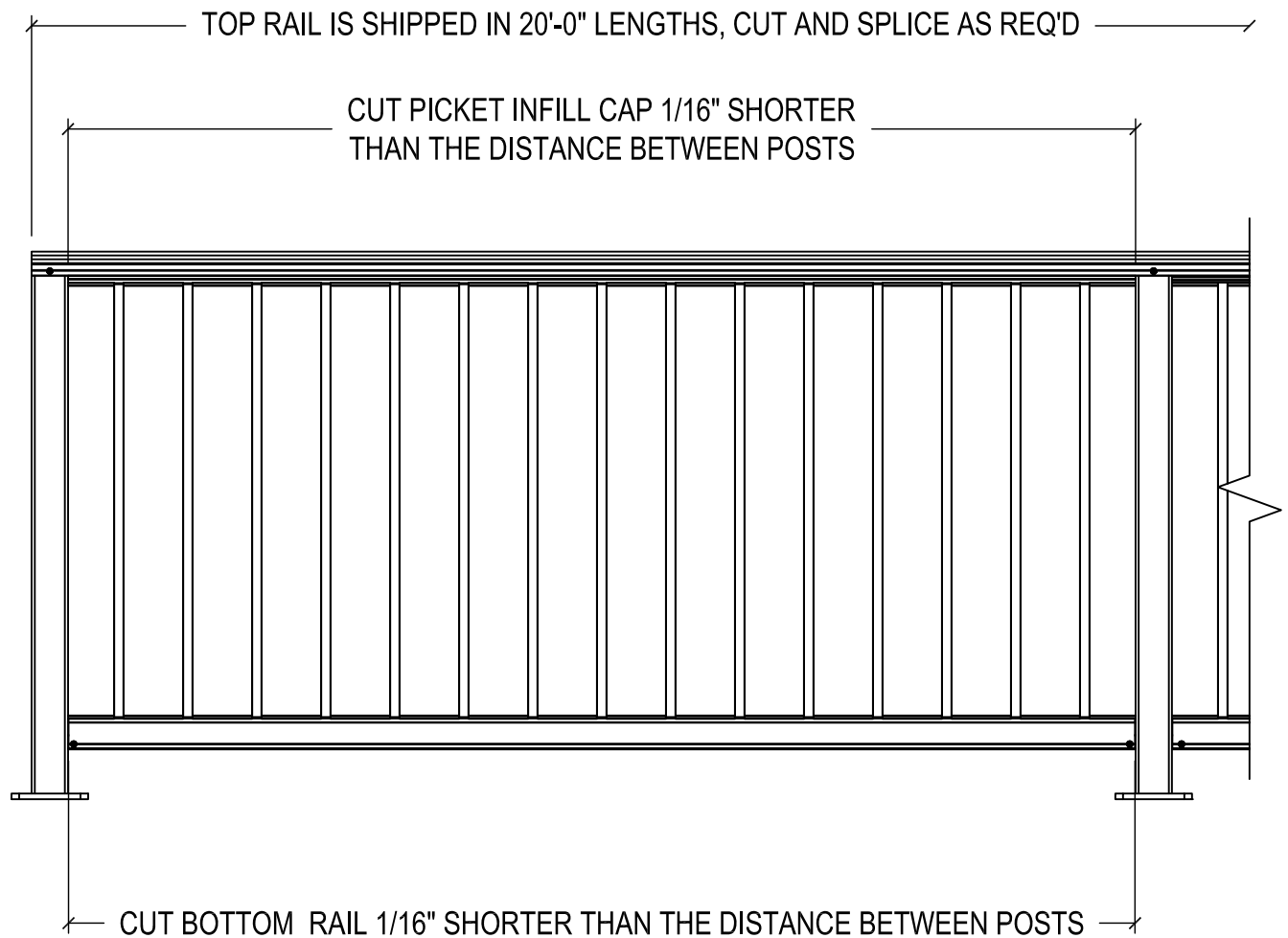
**STEP 3: TYP CONCRETE CONNECTION**

DATE: 4/16/2020

DRAWN BY: TJC

PRECISION RAIL  
[www.precisionrail.com](http://www.precisionrail.com)  
 503.512.5353  
 855.776.7245





THINGS TO NOTE:

- INSTALL ALL POSTS BEFORE CUTTING TOP AND BOTTOM RAILS.
- USE AN ELECTRIC MITER SAW WITH A 10" CARBIDE BLADE SPECIFICALLY FOR CUTTING ALUMINUM.
- CUT AND DOUBLE CHECK FIT BEFORE ATTACHING RAILS WITH SCREWS

DRAWING TITLE:

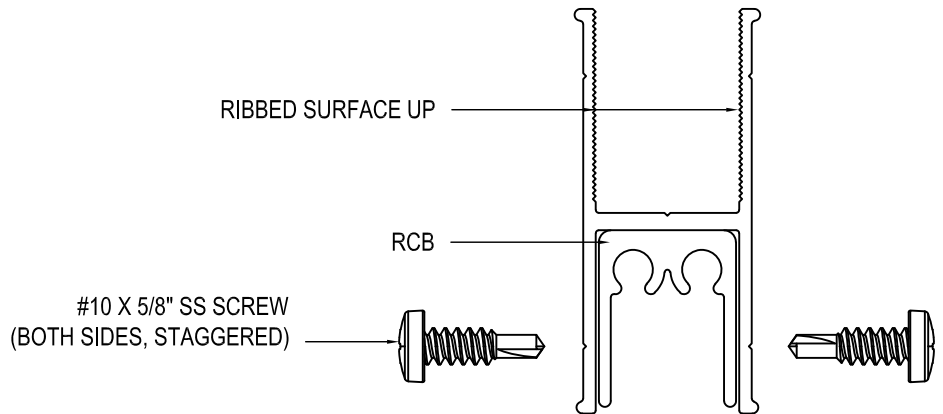
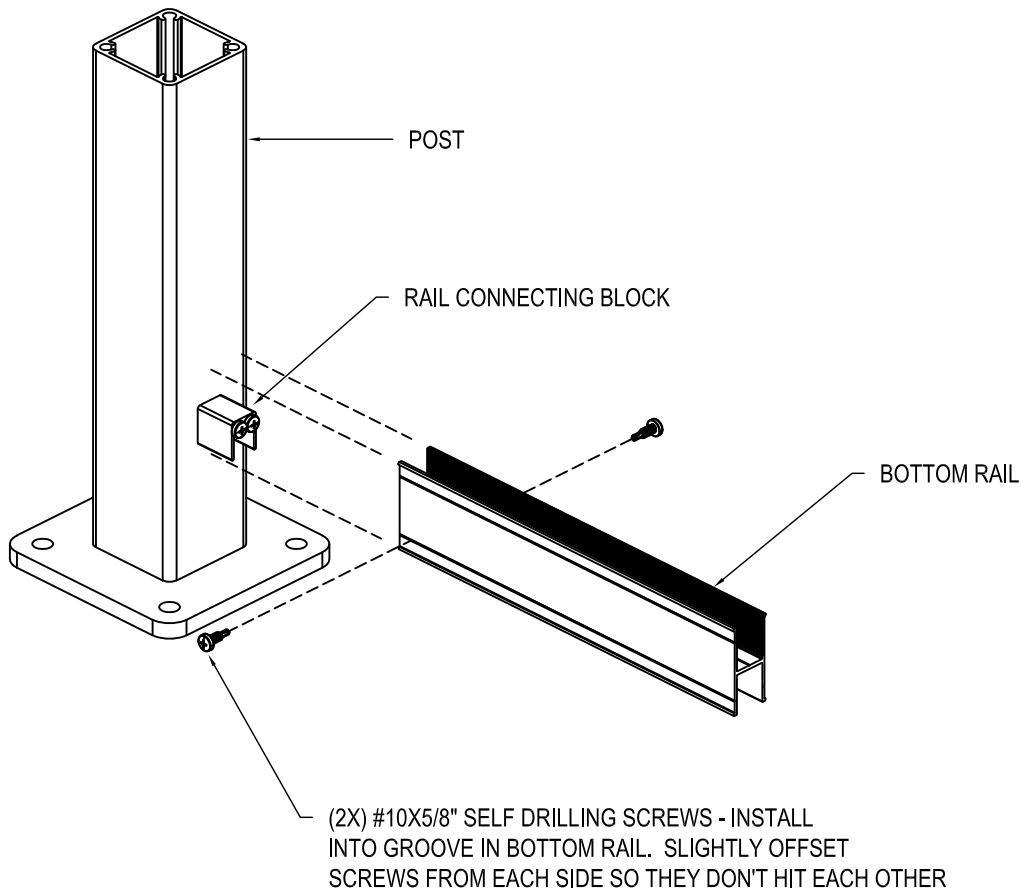
STEP 4: TOP AND BOTTOM RAIL

DATE: 4/16/2020

DRAWN BY: TJC

PRECISION RAIL  
[www.precisionrail.com](http://www.precisionrail.com)  
 503.512.5353  
 855.776.7245





## INSTALL BOTTOM RAIL BEFORE TOP RAIL

DRAWING TITLE:

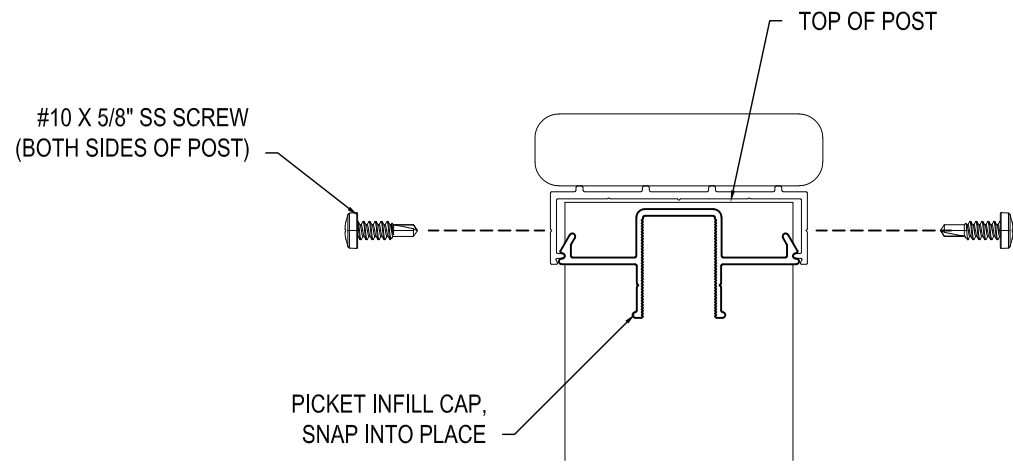
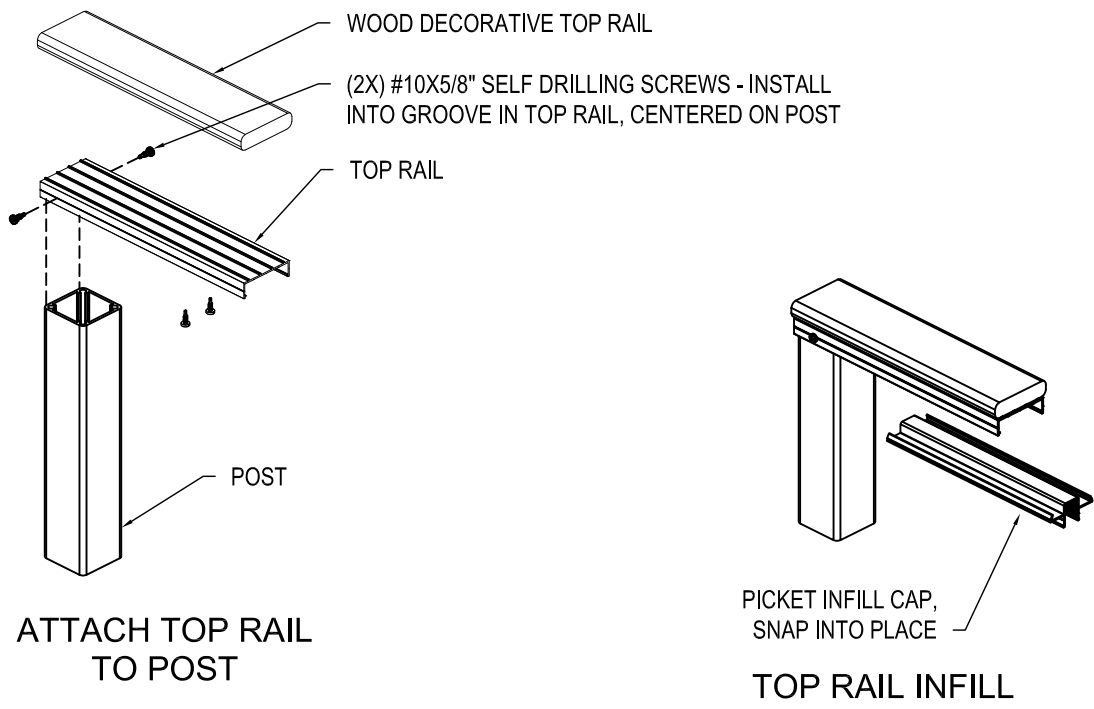
**STEP 4: BOTTOM RAIL INSTALLATION**

DATE: 4/16/2020

DRAWN BY: TJC

PRECISION RAIL  
[www.precisionrail.com](http://www.precisionrail.com)  
 503.512.5353  
 855.776.7245





# INSTALL BOTTOM RAIL BEFORE TOP RAIL

DRAWING TITLE:  
**STEP 4: TOP RAIL INSTALLATION**

DATE: 4/16/2020  
 DRAWN BY: TJC

PRECISION RAIL  
[www.precisionrail.com](http://www.precisionrail.com)  
 503.512.5353  
 855.776.7245



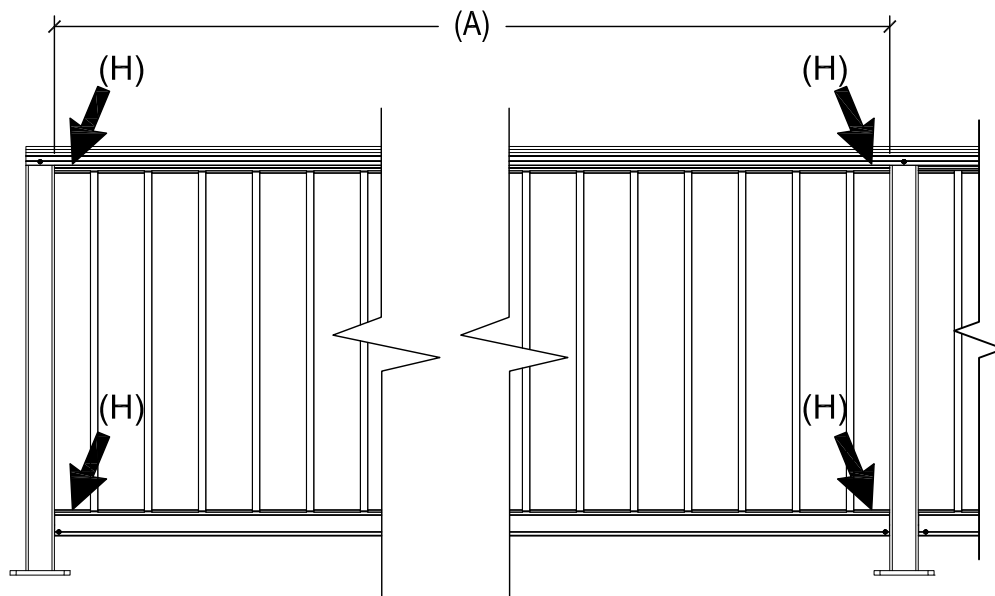
# PICKET SPACER CUT LENGTH CALCULATOR

THE PICKET SPACERS COME PRE CUT TO 3.875" (3-7/8"). HOWEVER, TO CENTER YOUR PICKETS BETWEEN THE POSTS, YOU WILL NEED TO CUT THE 4 END SPACERS (SEE ARROWS BELOW) IN EACH RAILING RUN.

THIS IS THE CALCULATION TO DETERMINE THAT CUT LENGTH.

(A) = INSIDE DISTANCE	EXAMPLE: 69.25
(B) = (A) DIVIDED BY 4.5	EXAMPLE: $69.25 / 4.5 = 15.39$
(C) = ROUND (B) DOWN TO WHOLE	EXAMPLE: IF (B) = 15.39, THEN (C) = 15
(D) = (C) - 1	EXAMPLE: $15 - 1 = 14$
(E) = (C) X 0.625	EXAMPLE: $15 \times 0.625 = 9.375$
(F) = (D) X 3.875	EXAMPLE: $14 \times 3.875 = 54.250$
(G) = (A) - (E) - (F)	EXAMPLE: $69.25 - 9.375 - 54.25 = 5.625$
(H) = (G) / 2	EXAMPLE: $5.625 / 2 = 2.8125$

## CUT 4 SPACERS EQUAL TO (H)



DRAWING TITLE:

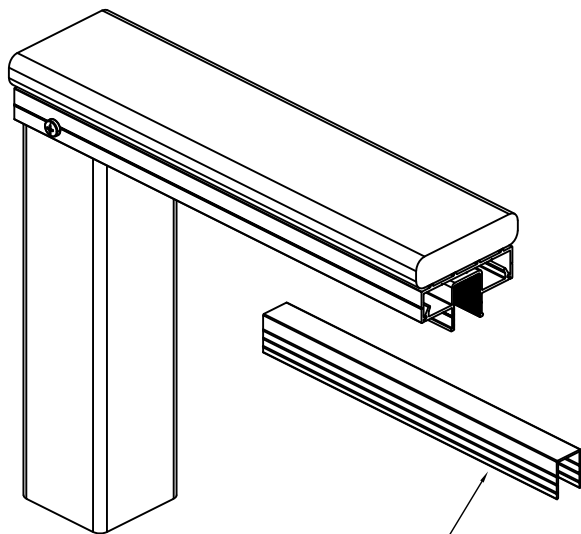
STEP 5: PICKET INFILL

DATE: 4/16/2020

DRAWN BY: TJC

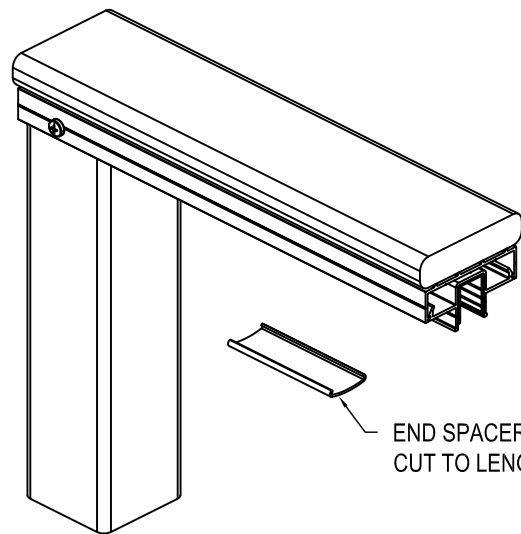
PRECISION RAIL  
www.precisionrail.com  
503.512.5353  
855.776.7245





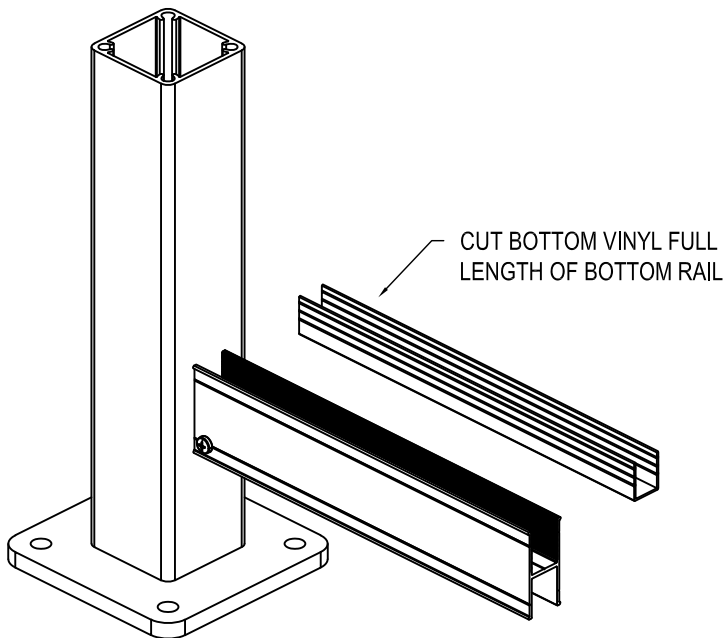
CUT TOP VINYL FULL LENGTH  
AS TOP RAIL PICKET CAP

### INSTALL VINYL EXTRUSION

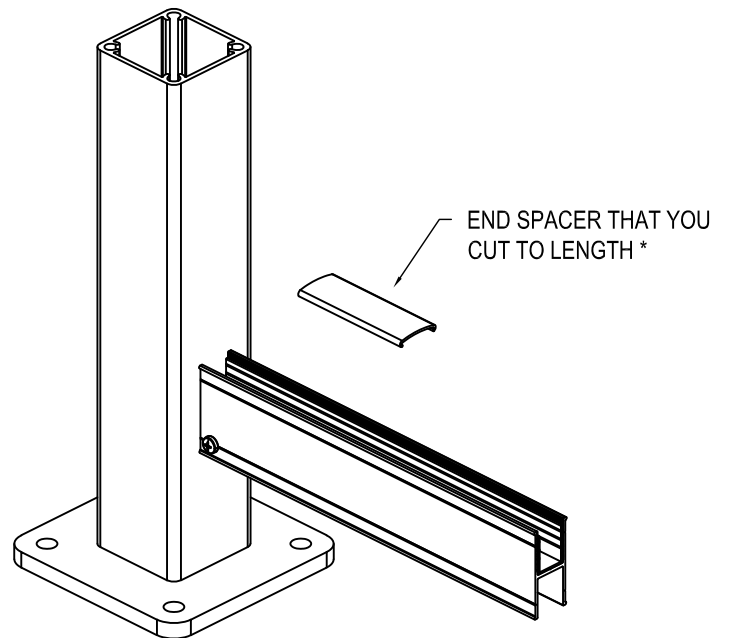


END SPACER THAT YOU  
CUT TO LENGTH \*

### CUT AND INSTALL FIRST PICKET SPACER



CUT BOTTOM VINYL FULL  
LENGTH OF BOTTOM RAIL



END SPACER THAT YOU  
CUT TO LENGTH \*

\* USE A C-CLAMP OR RUBBER MALLET TO ASSIST  
SNAPPING THE SPACERS ONTO THE RAIL IF NEEDED

DRAWING TITLE:

## STEP 5: PICKET INFILL

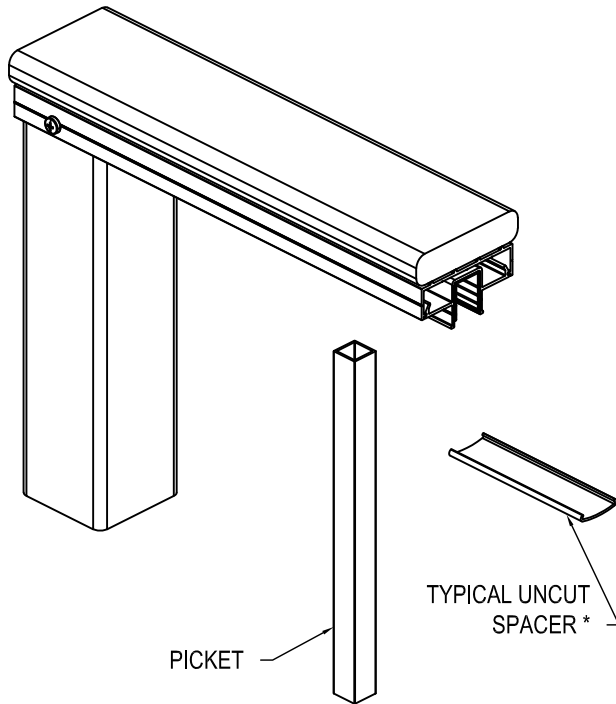
DATE: 4/16/2020

DRAWN BY: TJC

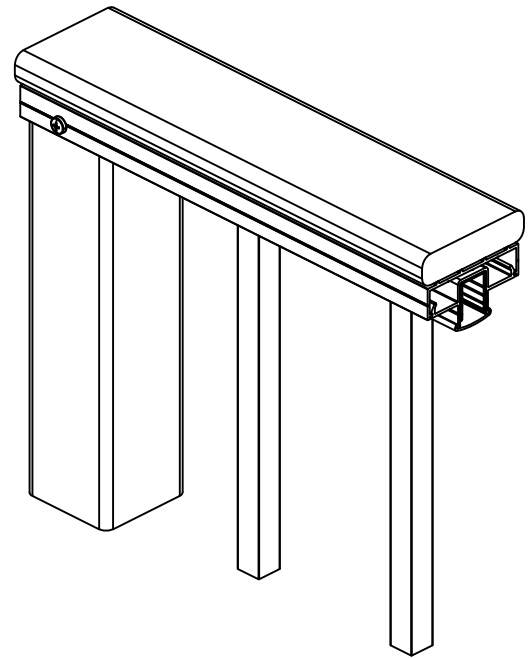
PRECISION RAIL  
www.precisionrail.com  
503.512.5353  
855.776.7245



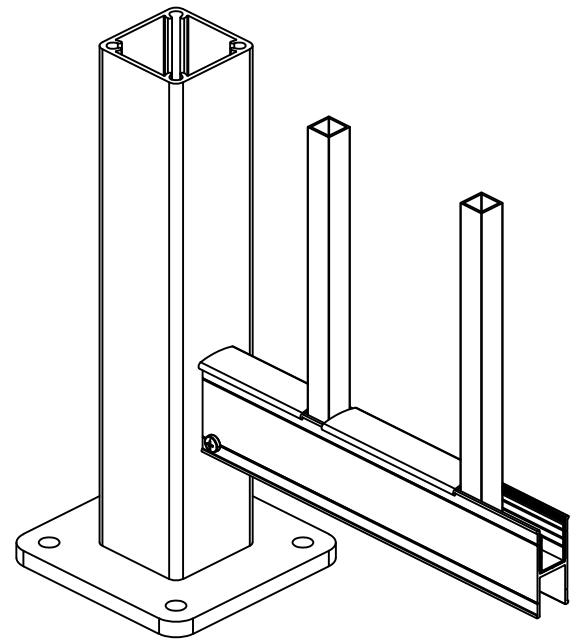
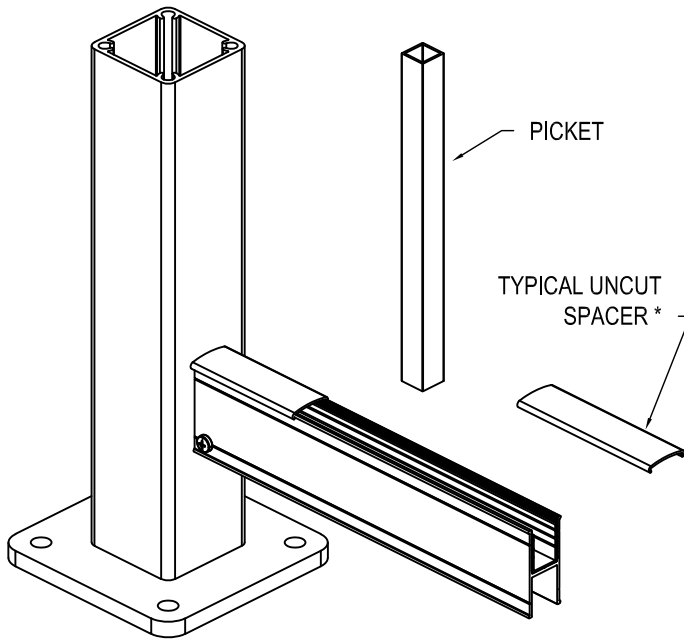




INSTALL PICKET AND NEXT SPACER



REPEAT PICKETS AND SPACERS



\* USE A C-CLAMP OR RUBBER MALLET TO ASSIST SNAPPING THE SPACERS ONTO THE RAIL IF NEEDED

DRAWING TITLE:

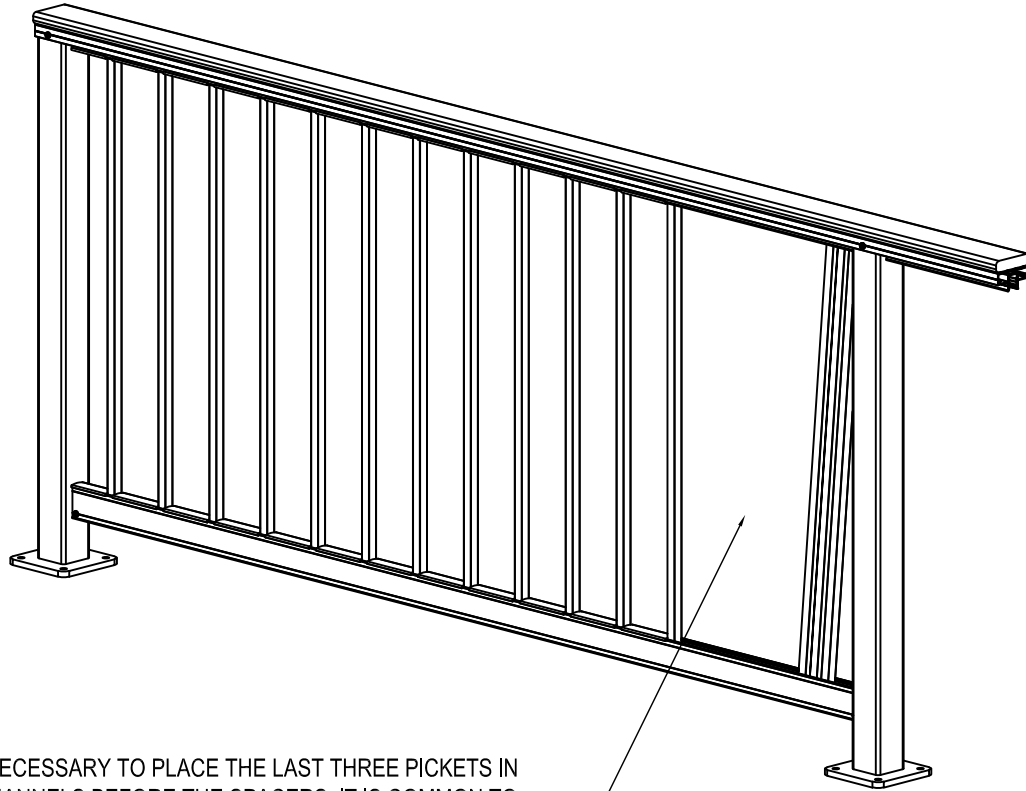
## STEP 5: PICKET INFILL

DATE: 4/16/2020

DRAWN BY: TJC

PRECISION RAIL  
[www.precisionrail.com](http://www.precisionrail.com)  
 503.512.5353  
 855.776.7245





IT IS NECESSARY TO PLACE THE LAST THREE PICKETS IN THE CHANNELS BEFORE THE SPACERS. IT IS COMMON TO PLACE THE THREE PICKETS TO THE END AS SHOWN. SHIFT THE PICKETS AROUND TO ALLOW SPACER INSTALLATION. THE LAST TWO SPACERS INSTALLED WILL BE THE OTHER TWO CUSTOM LENGTH SPACERS THAT YOU CUT.

**DRAWING TITLE:**

**STEP 5: PICKET INFILL**

**DATE: 4/16/2020**

**DRAWN BY: TJC**

**PRECISION RAIL**  
[www.precisionrail.com](http://www.precisionrail.com)  
503.512.5353  
855.776.7245

