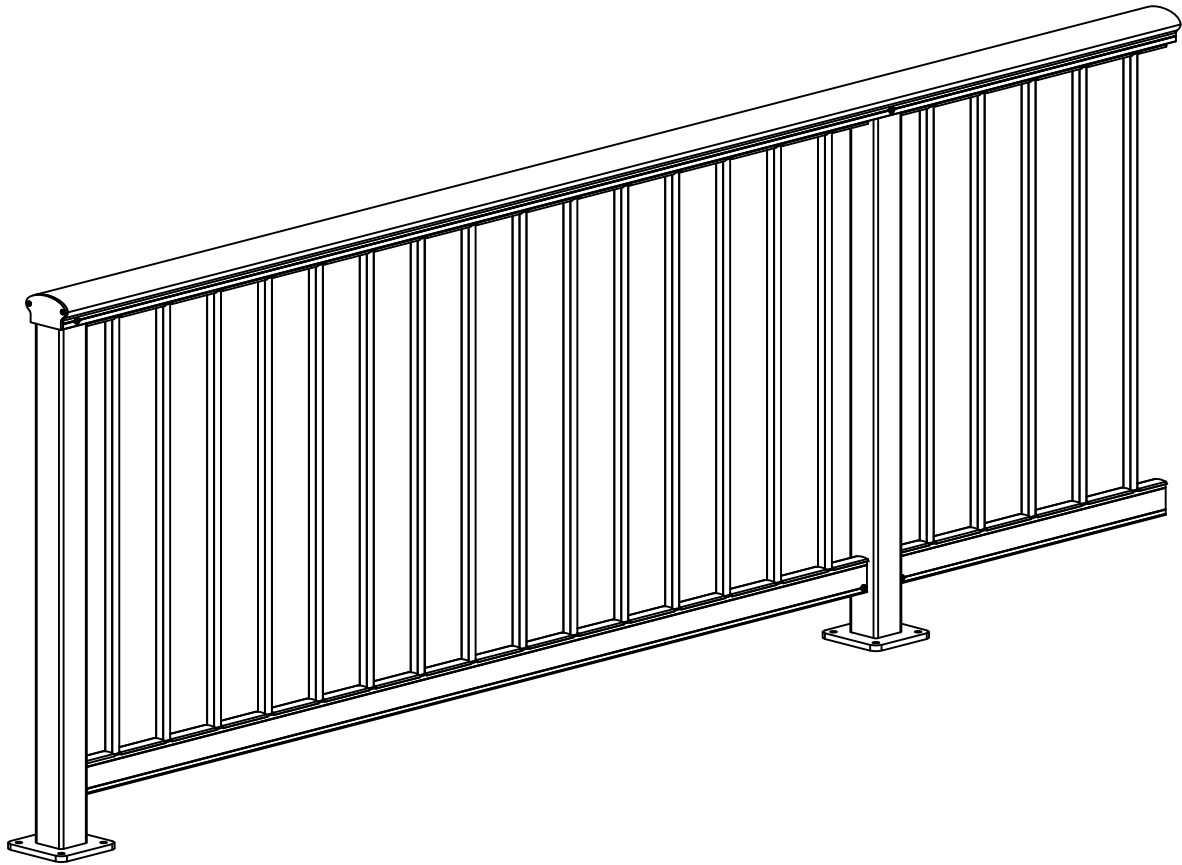


SERIES 999 PICKET RAILING INSTALLATION INSTRUCTIONS

REVISION 0.0 (4/16/2020)



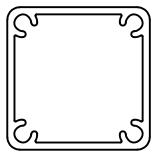
PLEASE READ THESE INSTRUCTIONS IN THEIR ENTIRETY PRIOR TO ASSEMBLING RAILING.
IF YOU HAVE ANY QUESTIONS OR NEED ASSISTANCE, PLEASE CALL ONE OF THE NUMBERS BELOW.

DRAWING TITLE:
OVERVIEW, RAILING

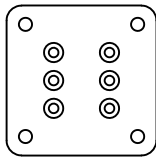
DATE: 4/16/2020
DRAWN BY: TJC

PRECISION RAIL
www.precisionrail.com
503.512.5353
855.776.7245

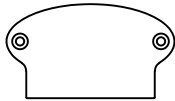




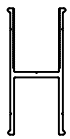
2 3/8" SQ POST



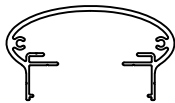
5" X 5" BASE PLATE



END CAP



BOTTOM RAIL



TOP RAIL



TOP RAIL PICKET INFILL



CONNECTING BLOCK



PICKET



PICKET SPACER



PICKET VINYL INSERT

STOCK LENGTH MATERIAL



TOP VIEW



SIDE VIEW

NYLON BOLT CAPS



TOP VIEW



SIDE VIEW

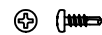
CAP WASHERS



BASE PLATE SCREWS



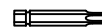
#10 X 2" SS SCREWS



#10 X 5/8" SS SCREWS



#8 X 3/4" FH SS SCREWS



(1) T-40 TORX IMPACT BIT

HARDWARE

RECOMMENDED TOOLS

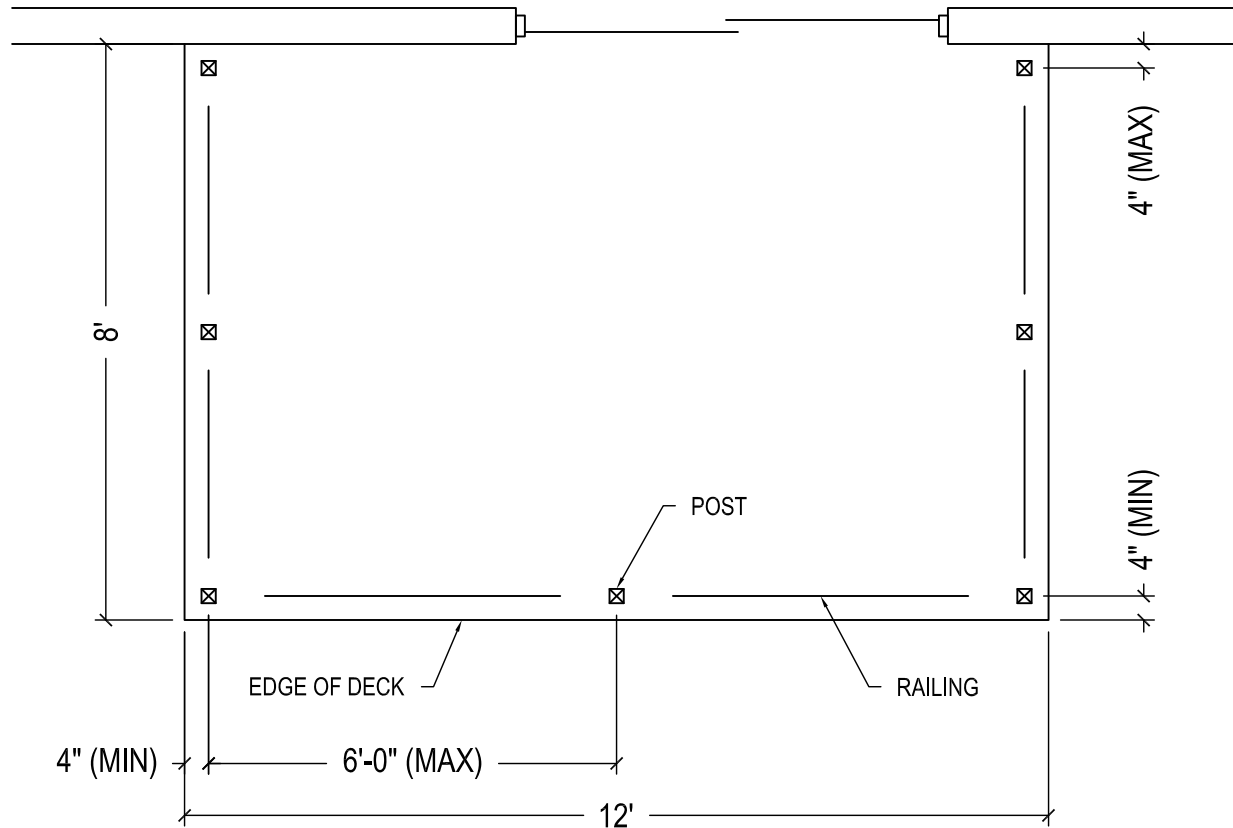
- SCISSORS
- CENTER PUNCH
- DRILL
- Ø11/64" DRILL BIT
- MASKING TAPE
- SOAP
- #2 PHILLIPS SCREW DRIVER BIT
- IMPACT DRIVER
- LEVEL
- PENCIL
- TAPE MEASURE
- STRING LINE
- SHIMS
- SPEED SQUARE
- ELECTRIC MITER SAW WITH A 10" CARBIDE BLADE SPECIFICALLY FOR CUTTING ALUMINUM
- RUBBER Mallet
- 4" C-CLAMP

DRAWING TITLE:
OVERVIEW, PARTS LIST

DATE: 4/16/2020
 DRAWN BY: TJC

PRECISION RAIL
 www.precisionrail.com
 503.512.5353
 855.776.7245





SAMPLE DECK PLAN

NOT TO SCALE

THINGS TO NOTE:

- WHICH SIDES OF YOUR POSTS GET DRILLED FOR RAILING CONNECTION BLOCKS.
- MAXIMUM POST SPACING IS 6'-0" FROM CENTER OF POST TO CENTER OF POST.
- ALL GAPS, INCLUDING THE SPACE BETWEEN A WALL AND A POST CANNOT EXCEED 4".
- THE CENTERLINE OF YOUR RAILING SHOULD BE A MINIMUM OF 4" FROM THE EDGE OF DECK.
- IT IS RECOMMENDED THAT YOU SHOULD SPACE YOUR POSTS AN EQUAL DISTANCE APART WHEREVER POSSIBLE.

DRAWING TITLE:

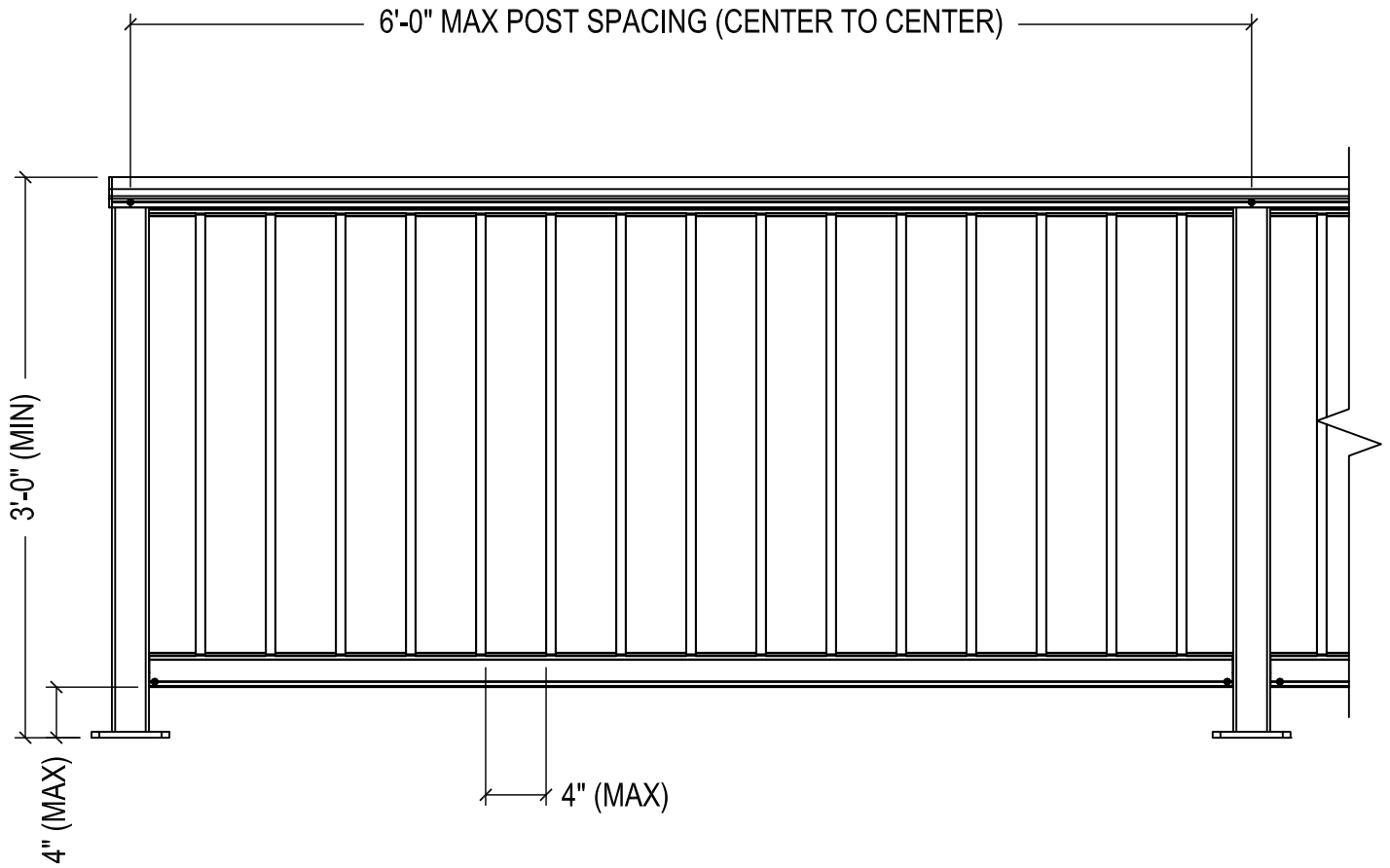
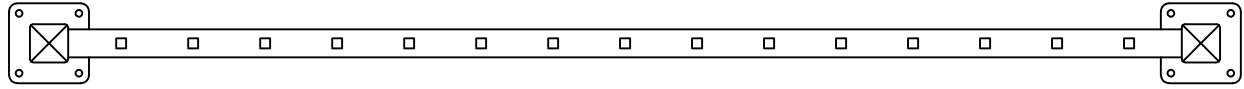
OVERVIEW, SAMPLE DECK PLAN

DATE: 4/16/2020

DRAWN BY: TJC

PRECISION RAIL
www.precisionrail.com
 503.512.5353
 855.776.7245



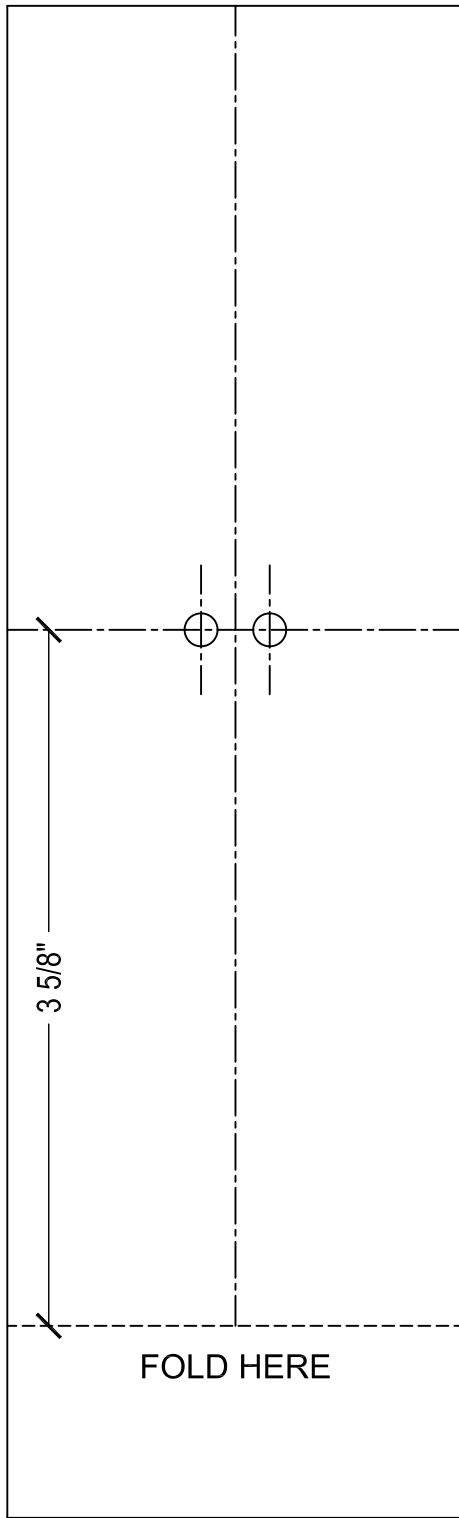


DRAWING TITLE:
OVERVIEW, DIMENSIONS

DATE: 4/16/2020
DRAWN BY: TJC

PRECISION RAIL
www.precisionrail.com
503.512.5353
855.776.7245



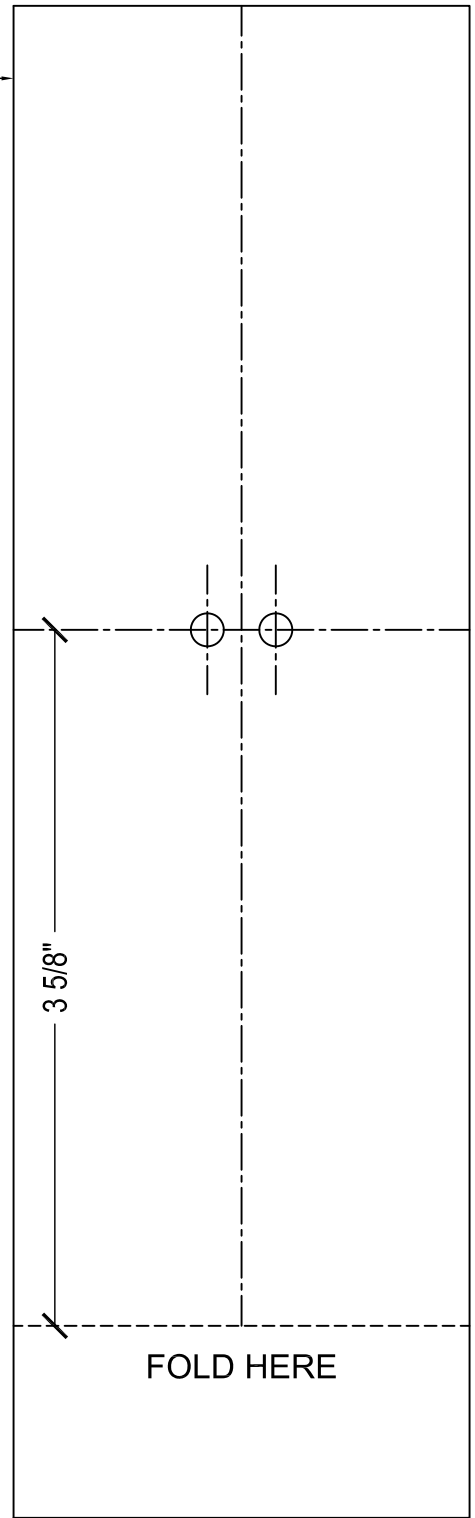


CUT AROUND THIS BORDER

CUT AROUND THIS BORDER

CUT OUT TEMPLATE AND FOLD ON DASHED LINE TO MARK DRILL HOLES

PHOTO COPY AS REQ'D FOR ADDITIONAL TEMPLATES
ENSURE PROPER SIZING OF COPY BEFORE USE



DRAWING TITLE:

STEP 1: RCB INSTALLATION

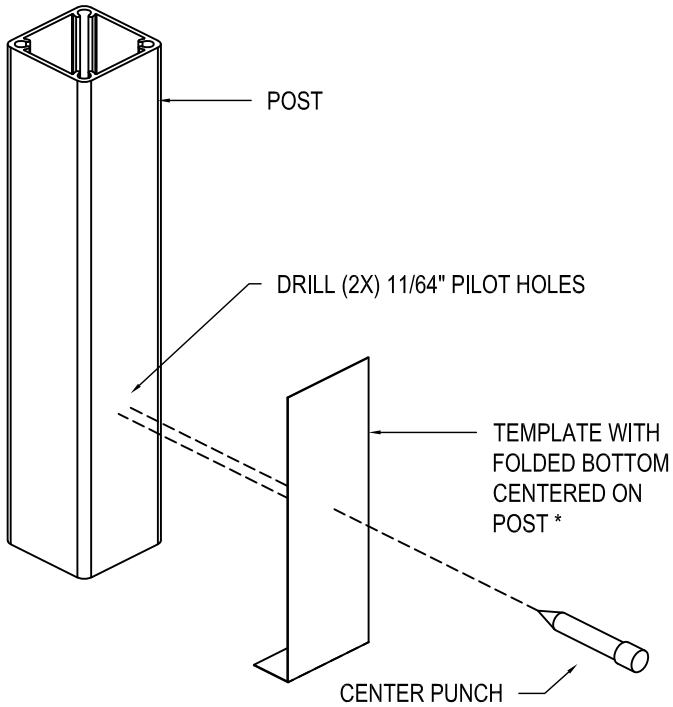
DATE: 4/16/2020

DRAWN BY: TJC

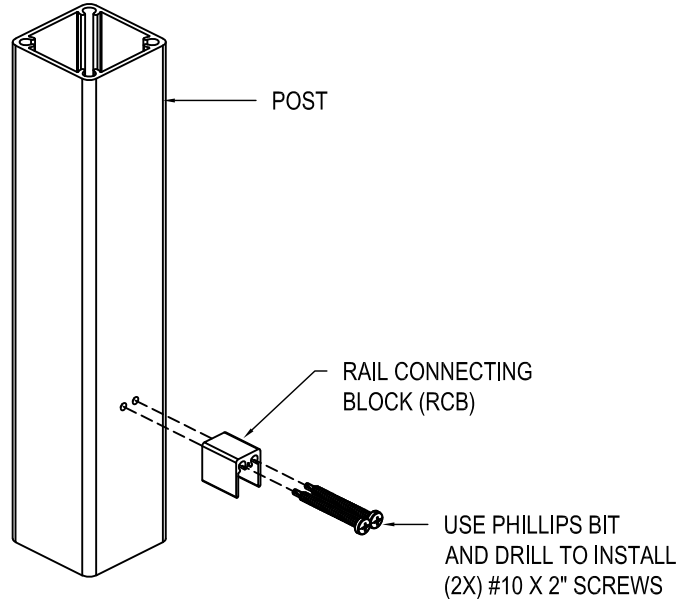
PRECISION RAIL
www.precisionrail.com
503.512.5353
855.776.7245



INTENTIONALLY BLANK



CENTER PUNCH AND DRILL BOTTOM HOLES



INSTALL BOTTOM CONNECTING BLOCK

DRAWING TITLE:

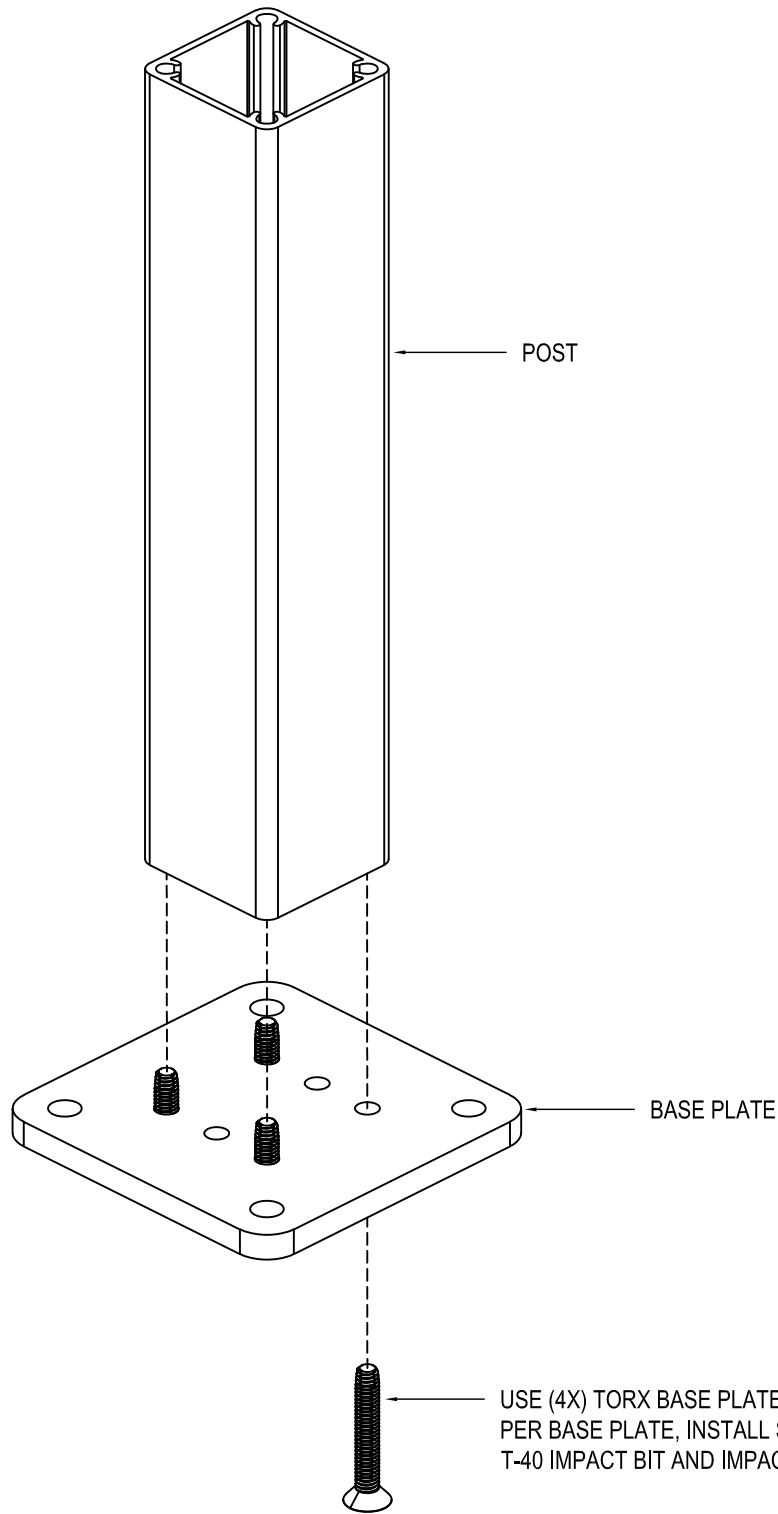
STEP 1: RCB INSTALLATION

DATE: 4/16/2020

DRAWN BY: TJC

PRECISION RAIL
www.precisionrail.com
 503.512.5353
 855.776.7245





DRAWING TITLE:

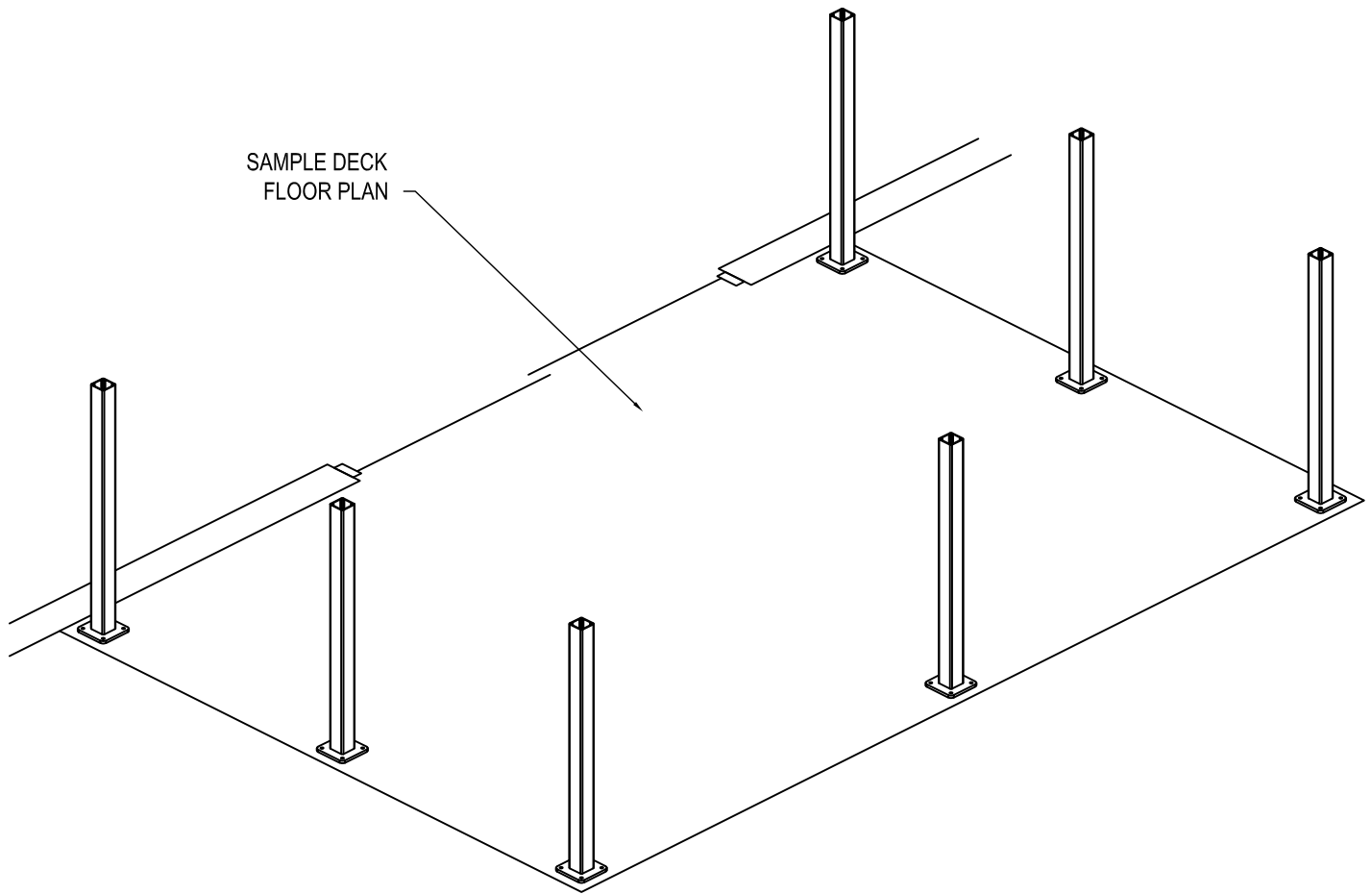
STEP 2: BASE PLATE INSTALLATION

DATE: 4/16/2020

DRAWN BY: TJC

PRECISION RAIL
www.precisionrail.com
503.512.5353
855.776.7245





THINGS TO NOTE:

- USING A TAPE MEASURE AND A STRING LINE, PLACE ALL OF YOUR POSTS IN THEIR PROPER LOCATIONS PER YOUR DECK PLANS.
- USE A LEVEL ON TWO ADJACENT SIDES OF EACH POST TO ENSURE THE POST IS PLUMB. IF IT IS NOT, USE SHIMS AS REQUIRED UNDER THE BASE PLATE.
- BE SURE TO FOLLOW MINIMUM AND MAXIMUM DIMENSIONAL REQUIREMENTS AS LISTED ON THE SAMPLE DECK PLAN.

DRAWING TITLE:

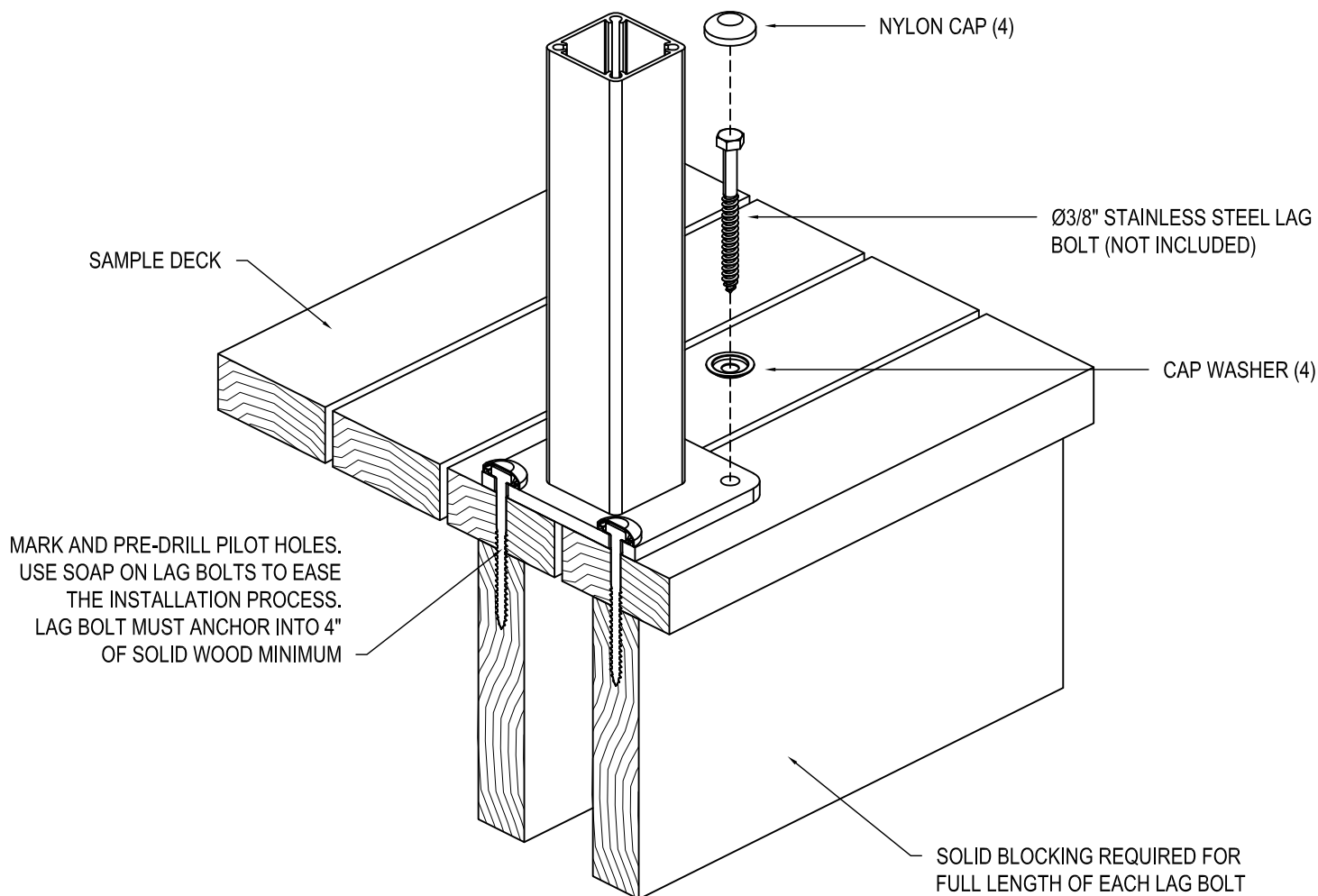
STEP 3: PLACING THE POSTS

DATE: 4/16/2020

DRAWN BY: TJC

PRECISION RAIL
www.precisionrail.com
503.512.5353
855.776.7245





SAMPLE ONLY

LAG BOLTS NOT INCLUDED

DRAWING TITLE:

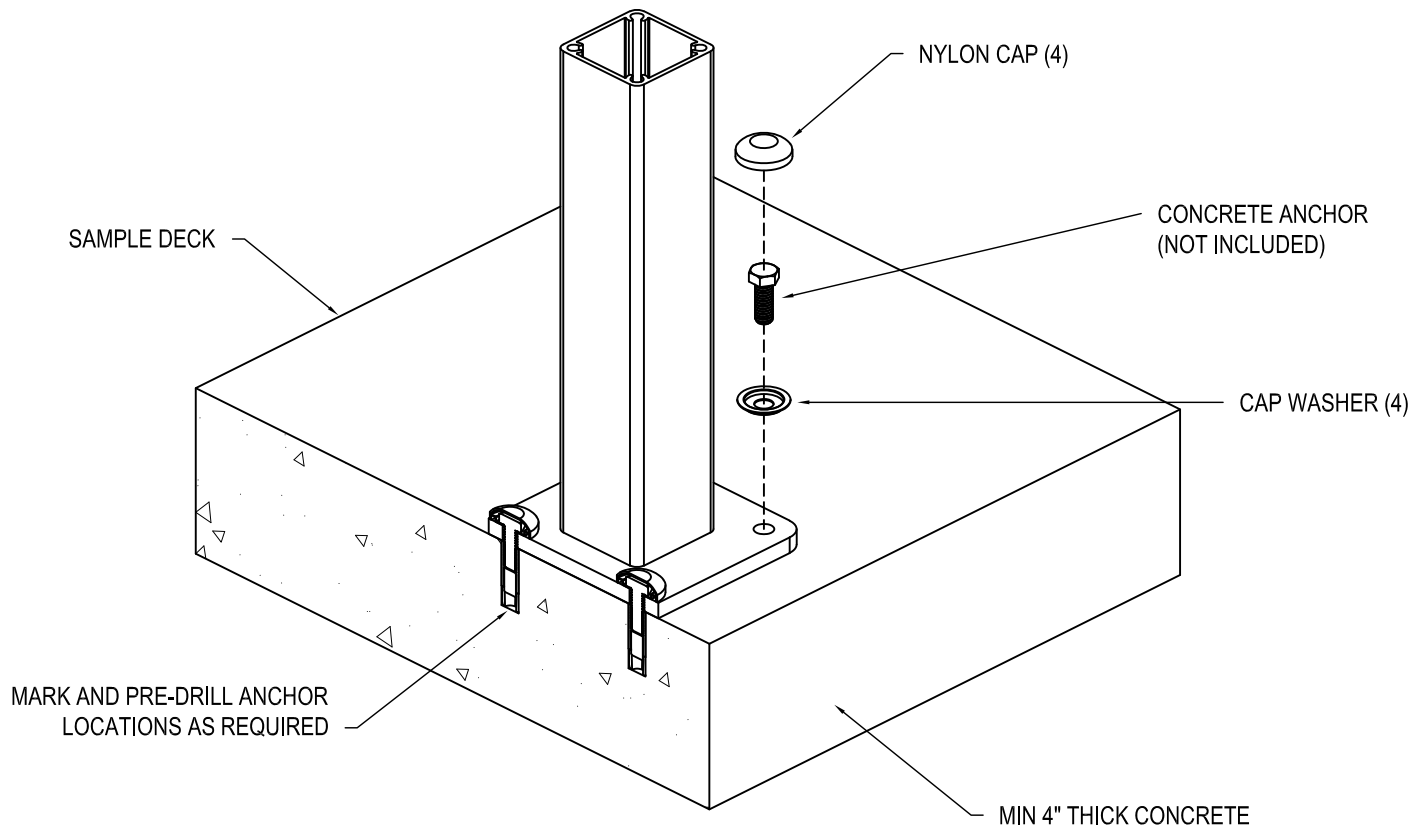
STEP 3: TYP WOOD CONNECTION

DATE: 4/16/2020

DRAWN BY: TJC

PRECISION RAIL
www.precisionrail.com
503.512.5353
855.776.7245





SAMPLE ONLY

ANCHOR BOLTS NOT INCLUDED

DRAWING TITLE:

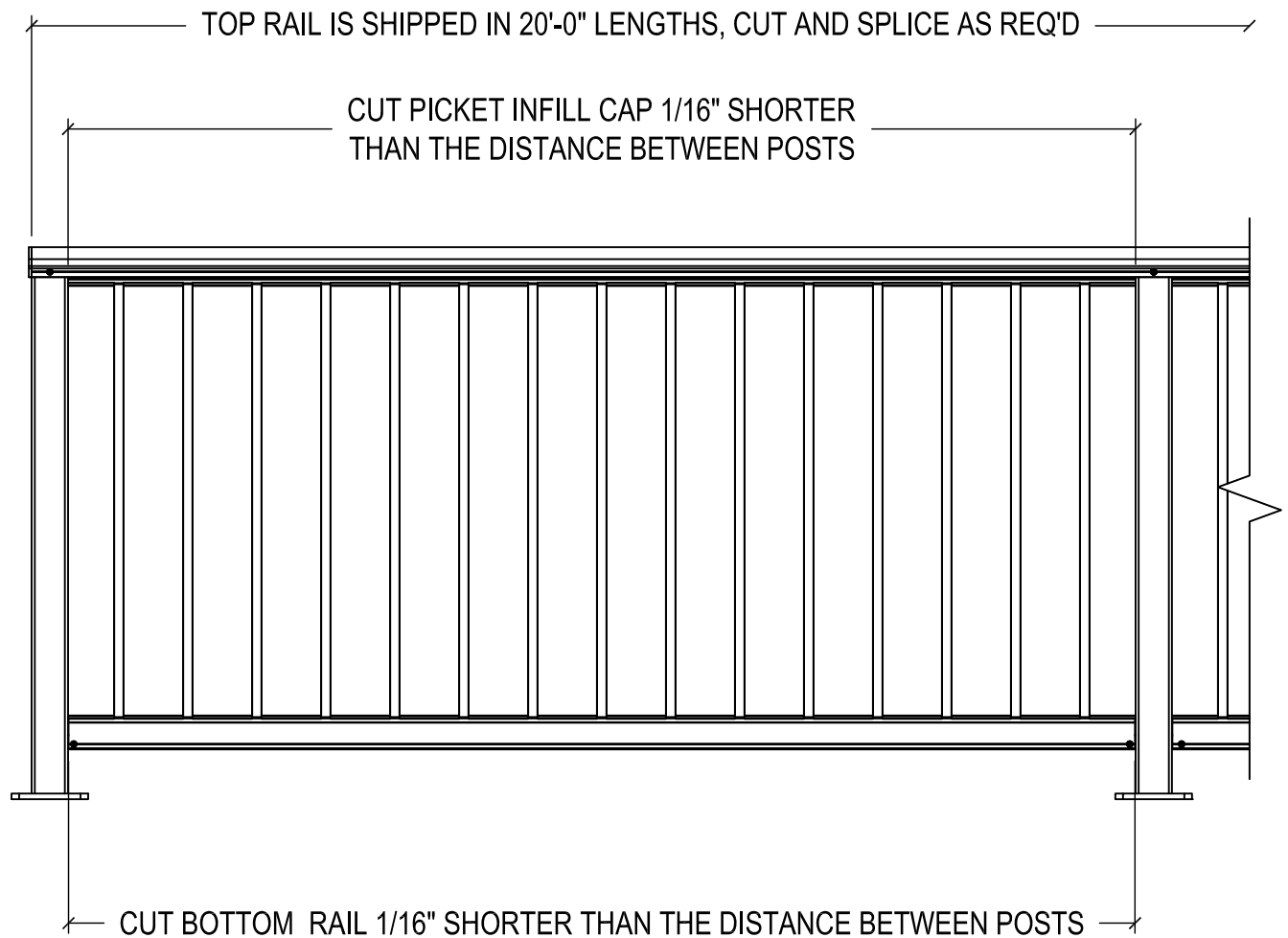
STEP 3: TYP CONCRETE CONNECTION

DATE: 4/16/2020

DRAWN BY: TJC

PRECISION RAIL
www.precisionrail.com
503.512.5353
855.776.7245





THINGS TO NOTE:

- INSTALL ALL POSTS BEFORE CUTTING TOP AND BOTTOM RAILS.
- USE AN ELECTRIC MITER SAW WITH A 10" CARBIDE BLADE SPECIFICALLY FOR CUTTING ALUMINUM.
- CUT AND DOUBLE CHECK FIT BEFORE ATTACHING RAILS WITH SCREWS

DRAWING TITLE:

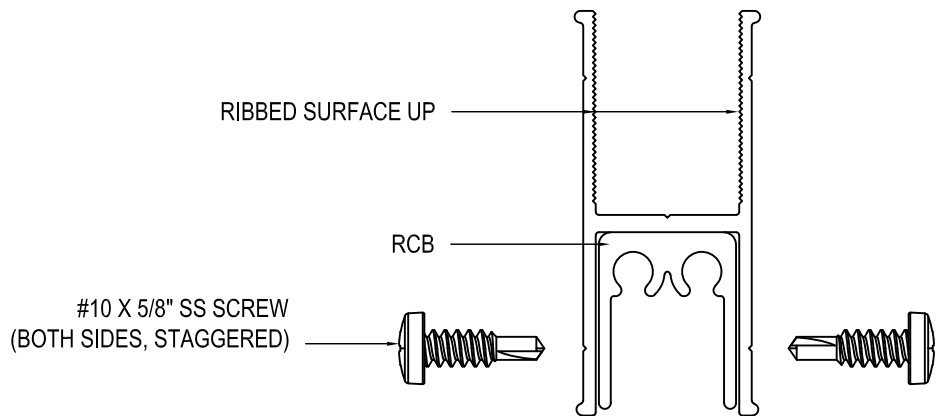
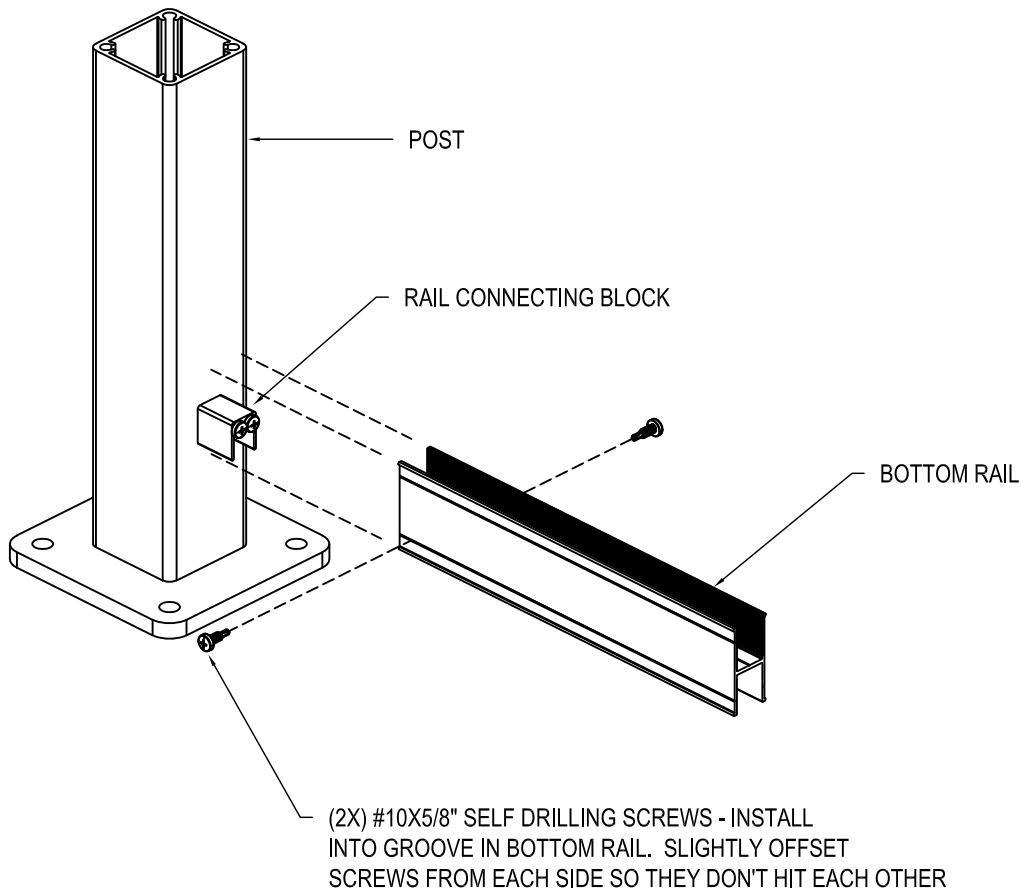
STEP 4: TOP AND BOTTOM RAIL

DATE: 4/16/2020

DRAWN BY: TJC

PRECISION RAIL
www.precisionrail.com
 503.512.5353
 855.776.7245





INSTALL BOTTOM RAIL BEFORE TOP RAIL

DRAWING TITLE:

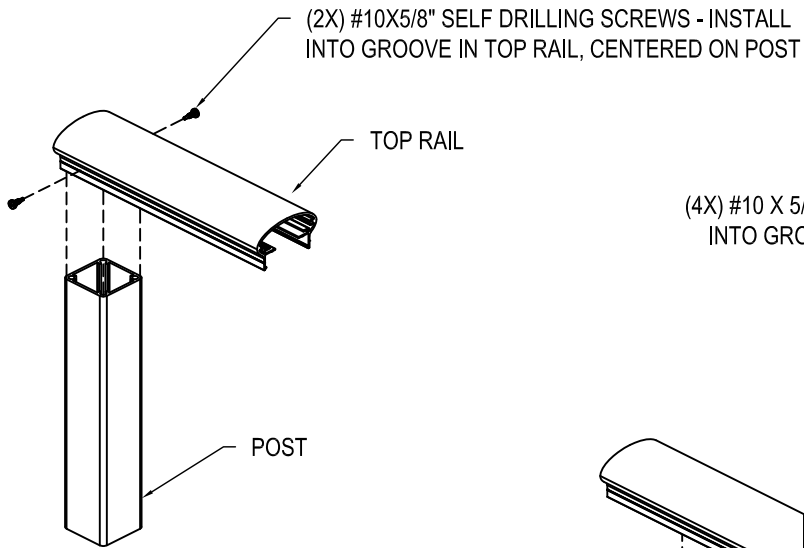
STEP 4: BOTTOM RAIL INSTALLATION

DATE: 4/16/2020

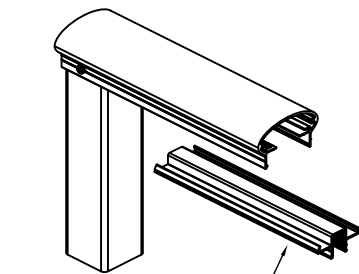
DRAWN BY: TJC

PRECISION RAIL
www.precisionrail.com
 503.512.5353
 855.776.7245

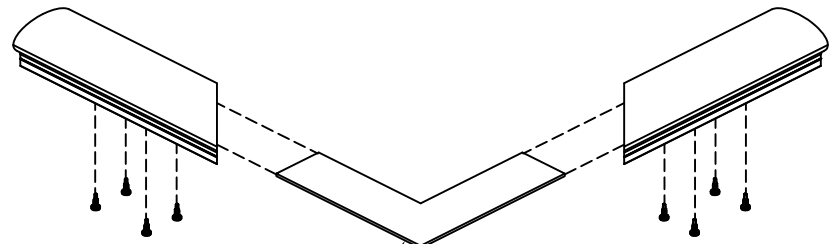
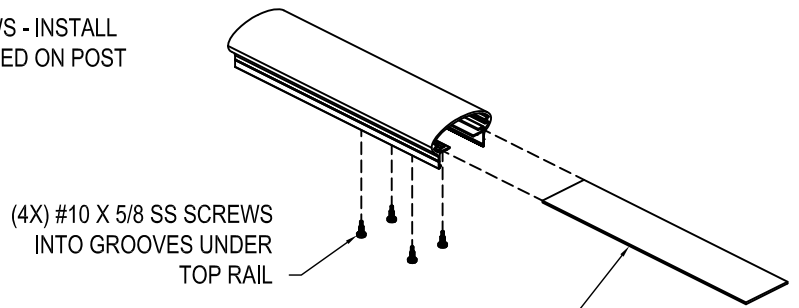




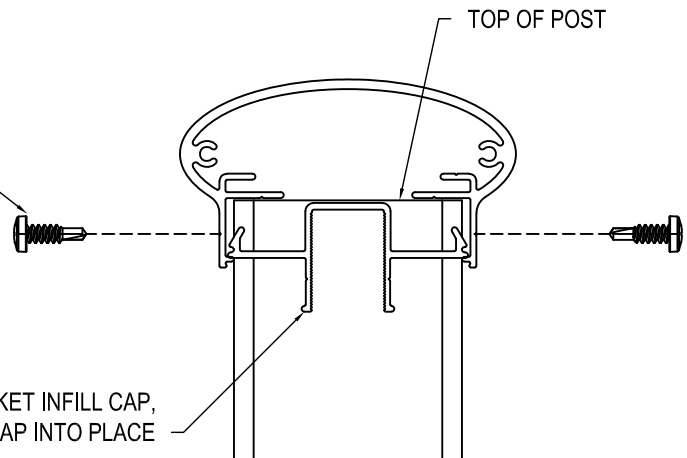
ATTACH TOP RAIL TO POST



TOP RAIL INFILL



TOP RAIL SPLICE



WARNING:

SPLICE TOP RAILS WITHIN 8" OF A POST. PLACING A SPLICE FURTHER AWAY FROM A POST WILL WEAKEN THE STABILITY OF THE TOP RAIL.

INSTALL BOTTOM RAIL BEFORE TOP RAIL

DRAWING TITLE:

STEP 4: TOP RAIL INSTALLATION

DATE: 4/16/2020

DRAWN BY: TJC

PRECISION RAIL
www.precisionrail.com
 503.512.5353
 855.776.7245



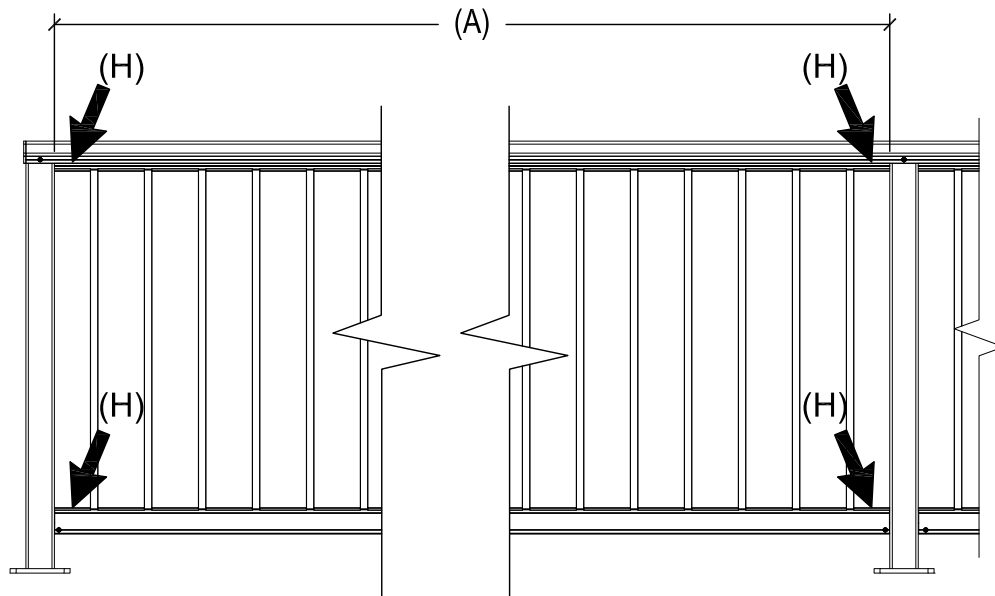
PICKET SPACER CUT LENGTH CALCULATOR

THE PICKET SPACERS COME PRE CUT TO 3.875" (3-7/8"). HOWEVER, TO CENTER YOUR PICKETS BETWEEN THE POSTS, YOU WILL NEED TO CUT THE 4 END SPACERS (SEE ARROWS BELOW) IN EACH RAILING RUN.

THIS IS THE CALCULATION TO DETERMINE THAT CUT LENGTH.

| | |
|-------------------------------|--|
| (A) = INSIDE DISTANCE | EXAMPLE: 69.25 |
| (B) = (A) DIVIDED BY 4.5 | EXAMPLE: $69.25 / 4.5 = 15.39$ |
| (C) = ROUND (B) DOWN TO WHOLE | EXAMPLE: IF (B) = 15.39, THEN (C) = 15 |
| (D) = (C) - 1 | EXAMPLE: $15 - 1 = 14$ |
| (E) = (C) X 0.625 | EXAMPLE: $15 \times 0.625 = 9.375$ |
| (F) = (D) X 3.875 | EXAMPLE: $14 \times 3.875 = 54.250$ |
| (G) = (A) - (E) - (F) | EXAMPLE: $69.25 - 9.375 - 54.25 = 5.625$ |
| (H) = (G) / 2 | EXAMPLE: $5.625 / 2 = 2.8125$ |

CUT 4 SPACERS EQUAL TO (H)



DRAWING TITLE:

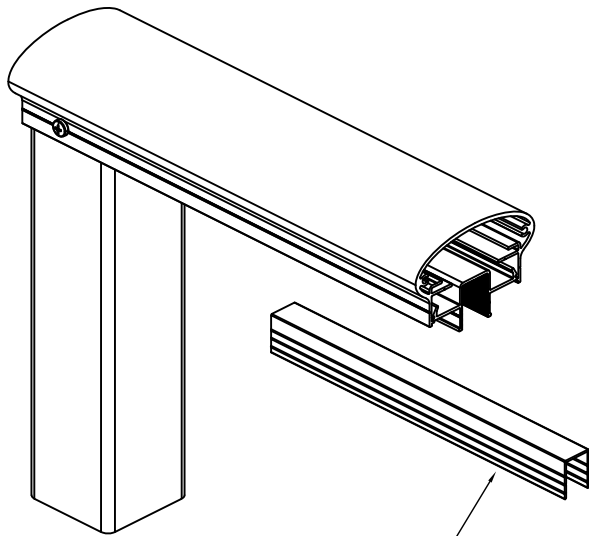
STEP 5: PICKET INFILL

DATE: 4/16/2020

DRAWN BY: TJC

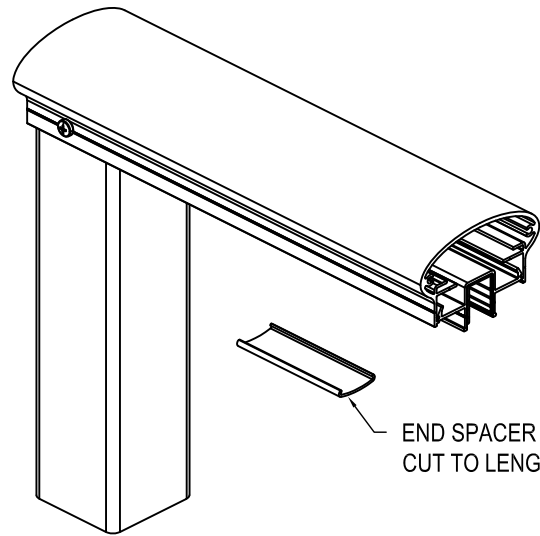
PRECISION RAIL
www.precisionrail.com
503.512.5353
855.776.7245





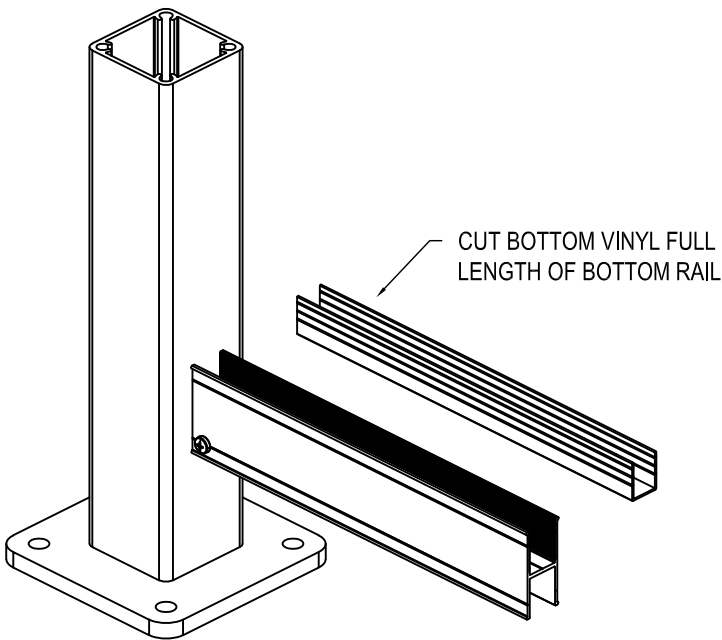
CUT TOP VINYL FULL LENGTH
AS TOP RAIL PICKET CAP

INSTALL VINYL EXTRUSION

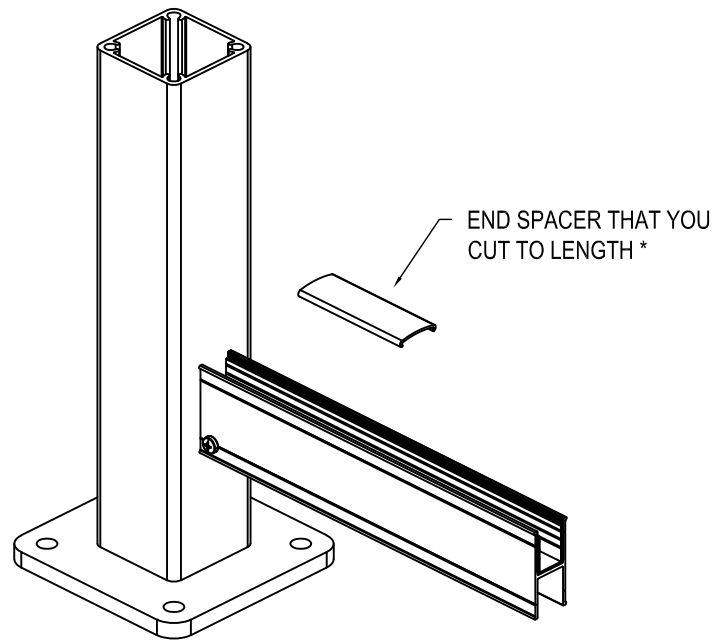


END SPACER THAT YOU
CUT TO LENGTH *

CUT AND INSTALL FIRST PICKET SPACER



CUT BOTTOM VINYL FULL
LENGTH OF BOTTOM RAIL



END SPACER THAT YOU
CUT TO LENGTH *

* USE A C-CLAMP OR RUBBER MALLETT TO ASSIST
SNAPPING THE SPACERS ONTO THE RAIL IF NEEDED

DRAWING TITLE:

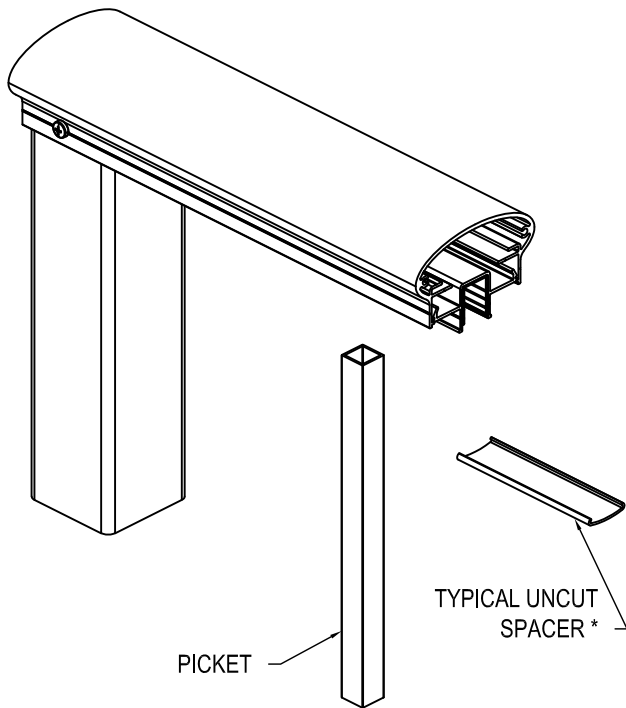
STEP 5: PICKET INFILL

DATE: 4/16/2020

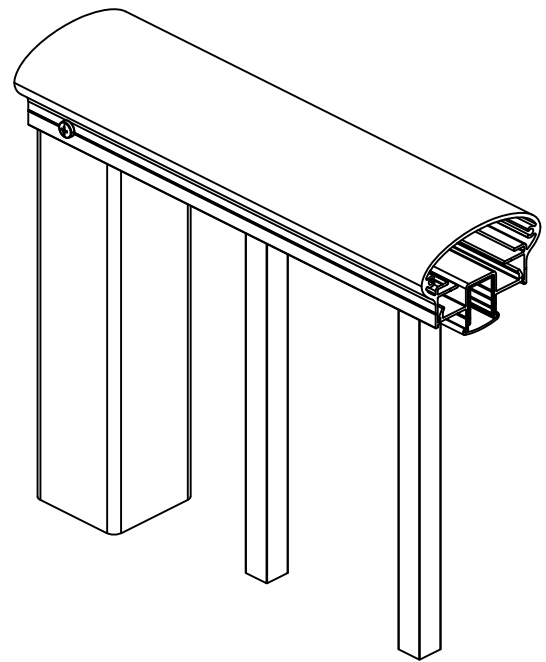
DRAWN BY: TJC

PRECISION RAIL
www.precisionrail.com
503.512.5353
855.776.7245

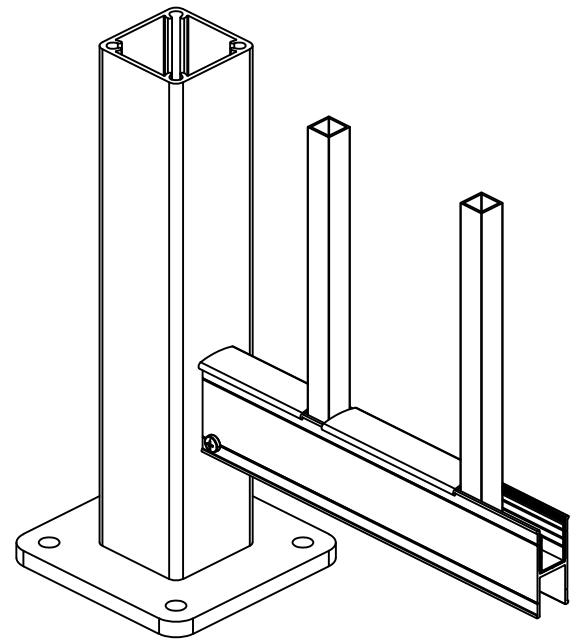
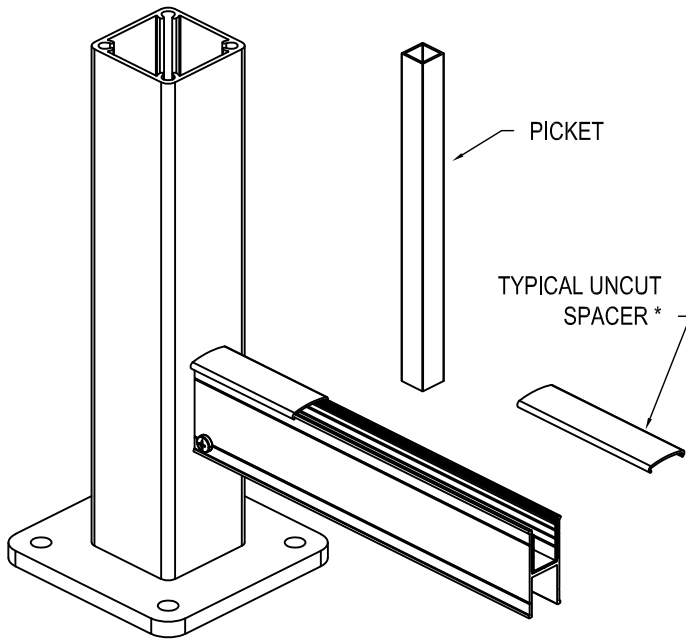




INSTALL PICKET AND NEXT SPACER



REPEAT PICKETS AND SPACERS



* USE A C-CLAMP OR RUBBER MALLET TO ASSIST SNAPPING THE SPACERS ONTO THE RAIL IF NEEDED

DRAWING TITLE:

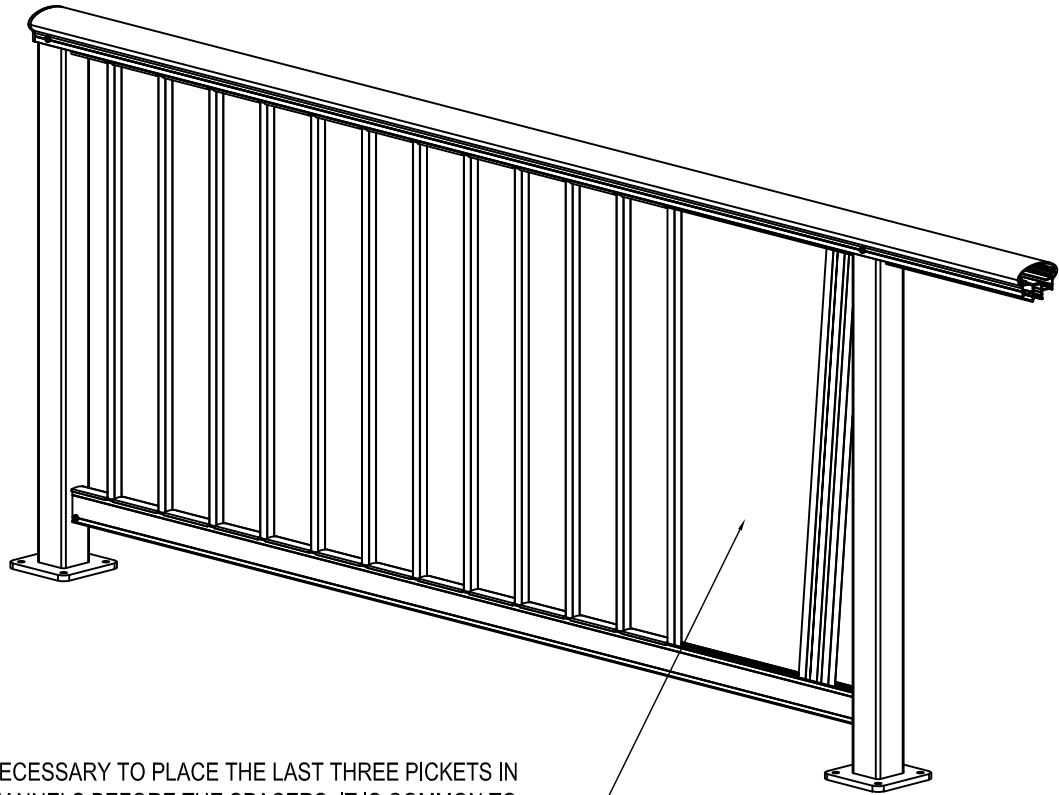
STEP 5: PICKET INFILL

DATE: 4/16/2020

DRAWN BY: TJC

PRECISION RAIL
www.precisionrail.com
 503.512.5353
 855.776.7245





IT IS NECESSARY TO PLACE THE LAST THREE PICKETS IN THE CHANNELS BEFORE THE SPACERS. IT IS COMMON TO PLACE THE THREE PICKETS TO THE END AS SHOWN. SHIFT THE PICKETS AROUND TO ALLOW SPACER INSTALLATION. THE LAST TWO SPACERS INSTALLED WILL BE THE OTHER TWO CUSTOM LENGTH SPACERS THAT YOU CUT.

DRAWING TITLE:

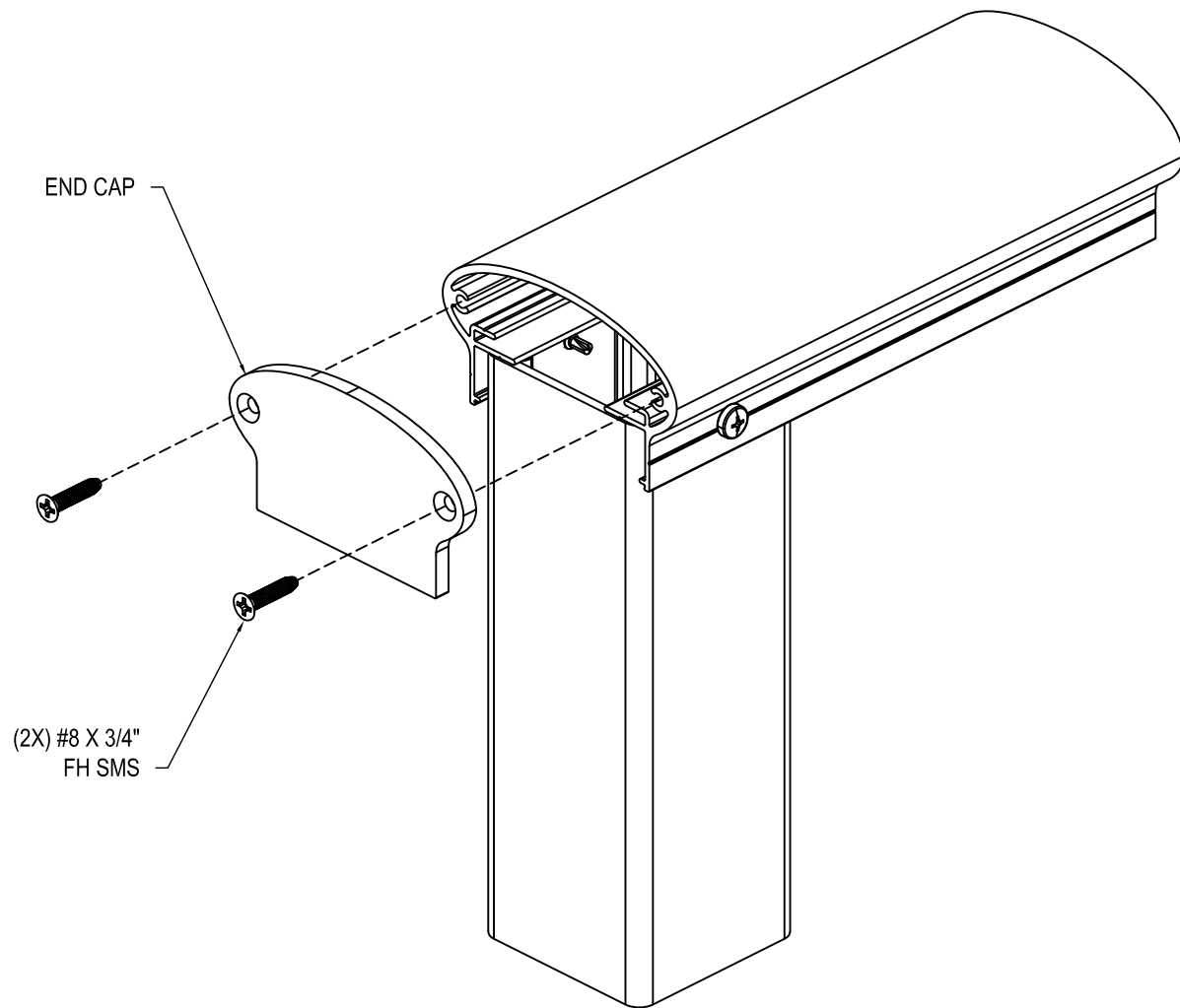
STEP 5: PICKET INFILL

DATE: 4/16/2020

DRAWN BY: TJC

PRECISION RAIL
www.precisionrail.com
503.512.5353
855.776.7245





DRAWING TITLE:

STEP 6: END CAP INSTALLATION

DATE: 4/16/2020

DRAWN BY: TJC

PRECISION RAIL
www.precisionrail.com
503.512.5353
855.776.7245

