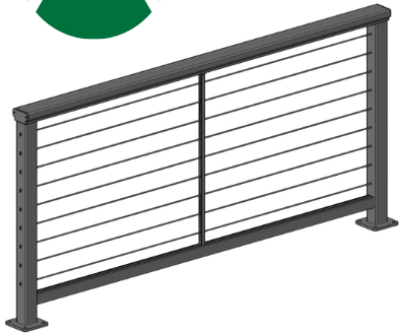
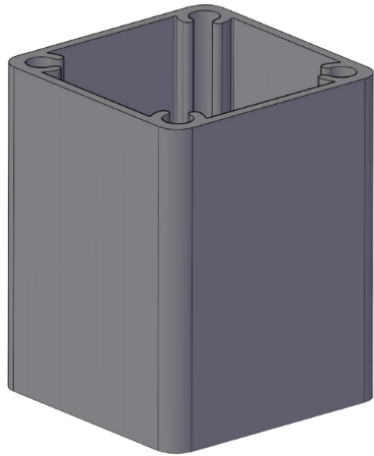




SPECIFICATIONS - TR200 CABLE SYSTEM

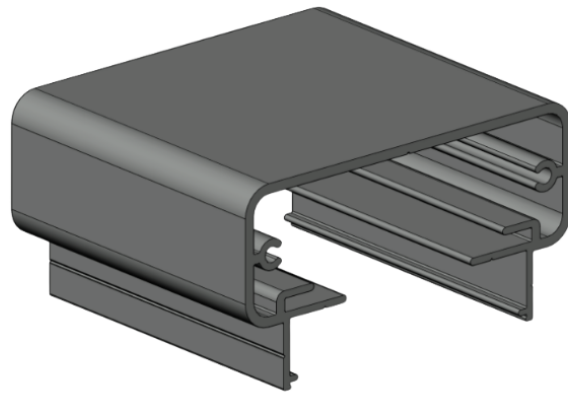


- ALL ALUMINUM COMPONENTS, 36" OR 42" FINAL HEIGHT
- 6' MAX BETWEEN POSTS, 5" X 5" BASEPLATES
- CAN BE USED ON WOOD, SYNTHETIC DECKING & CONCRETE
- HARDWARE INCLUDED FOR SECURING POSTS & RAIL SECTIONS
- BAKED ON ENAMEL PAINT FINISH



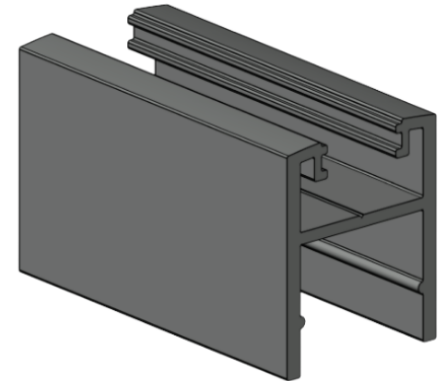
POST

2 3/8" X 2 3/8"



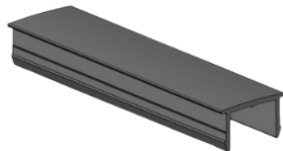
TR200

3 1/2" X 1 7/8"



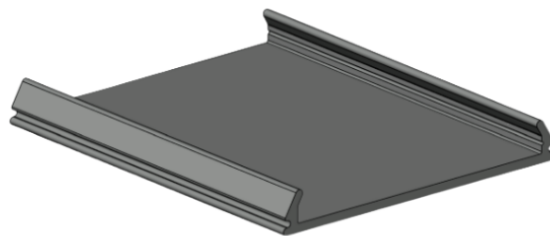
BR200

15/16" X 2 1/8"



SP42

3/4" X 7/16"



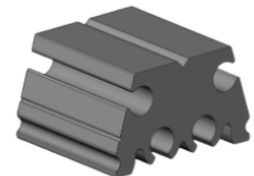
FLAT INFILL

2 1/2" X 1 1/8"



CABLE

1/8" CABLE

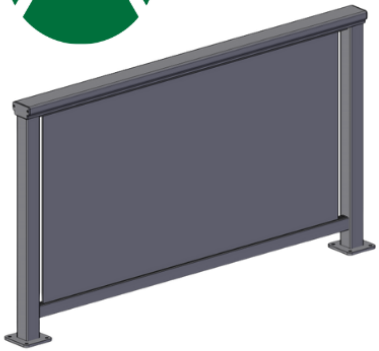


RCB2

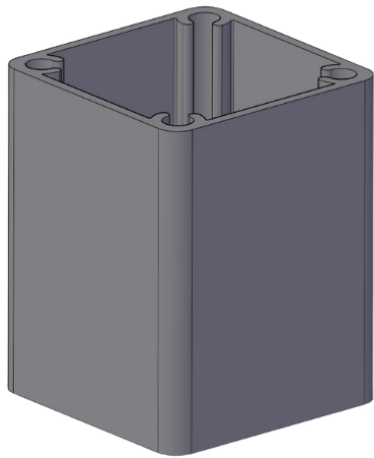
1 1/8" X 11/16"



SPECIFICATIONS - TR200 GLASS SYSTEM

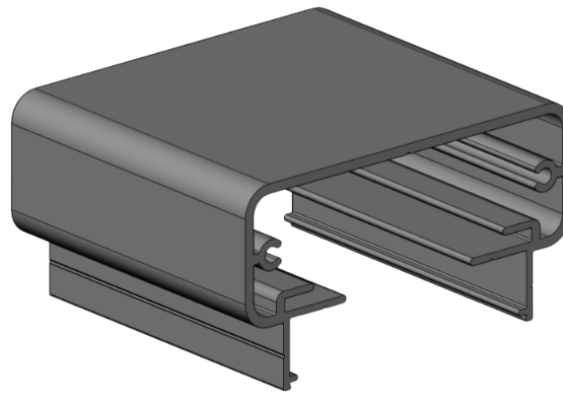


- ALL ALUMINUM COMPONENTS, 36" OR 42" FINAL HEIGHT
- 5' MAX BETWEEN POSTS, 5" X 5" BASEPLATES
- CAN BE USED ON WOOD, SYNTHETIC DECKING & CONCRETE
- HARDWARE INCLUDED FOR SECURING POSTS & RAIL SECTIONS
- BAKED ON ENAMEL PAINT FINISH



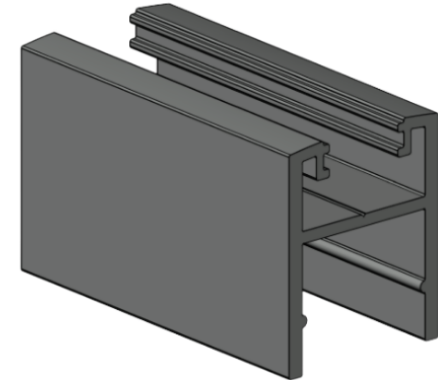
POST

2 3/8" X 2 3/8"



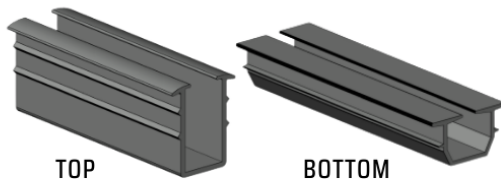
TR200

1 3/4" X 2 7/16"



BR200

15/16" X 2 1/8"



TOP

BOTTOM

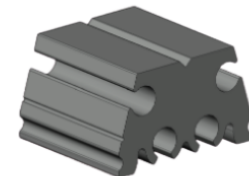
VINYL

PLASTIC VINYL



GLASS

1/4" TEMPERED



RCB2

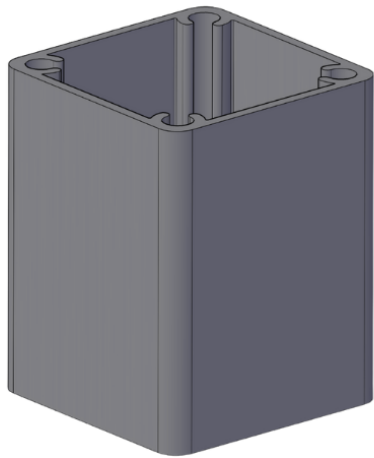
1 1/8" X 11/16"



SPECIFICATIONS - TR200 PICKET SYSTEM

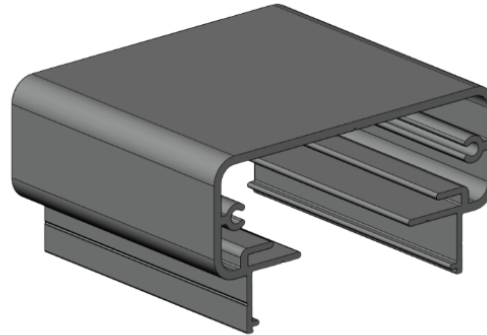


- ALL ALUMINUM COMPONENTS, 36" OR 42" FINAL HEIGHT
- 6' MAX BETWEEN POSTS, 5" X 5" BASEPLATES
- CAN BE USED ON WOOD, SYNTHETIC DECKING & CONCRETE
- HARDWARE INCLUDED FOR SECURING POSTS & RAIL SECTIONS
- BAKED ON ENAMEL PAINT FINISH



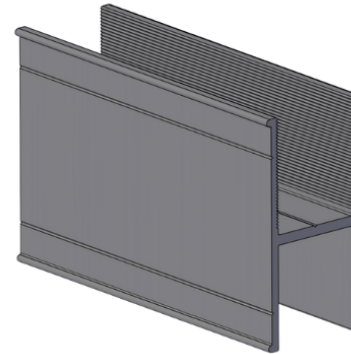
POST

2 3/8" X 2 3/8"



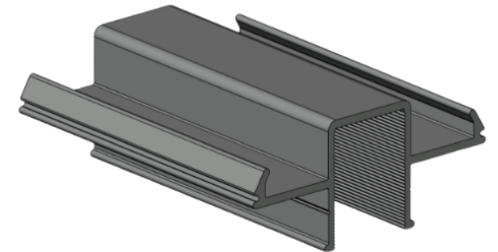
TR200

3 1/2" X 1 7/8"



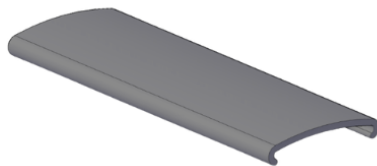
BR100

15/16" X 2 1/8"



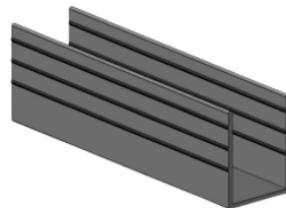
POCKET INFILL

2 1/2" X 1 1/8"



SP41

1 1/16" X 3/16"



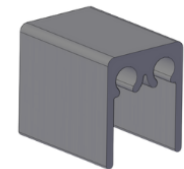
VINYL

3/4" X 7/8"



PICKET

5/8" X 5/8"



RCB1

11/16" X 15/16"